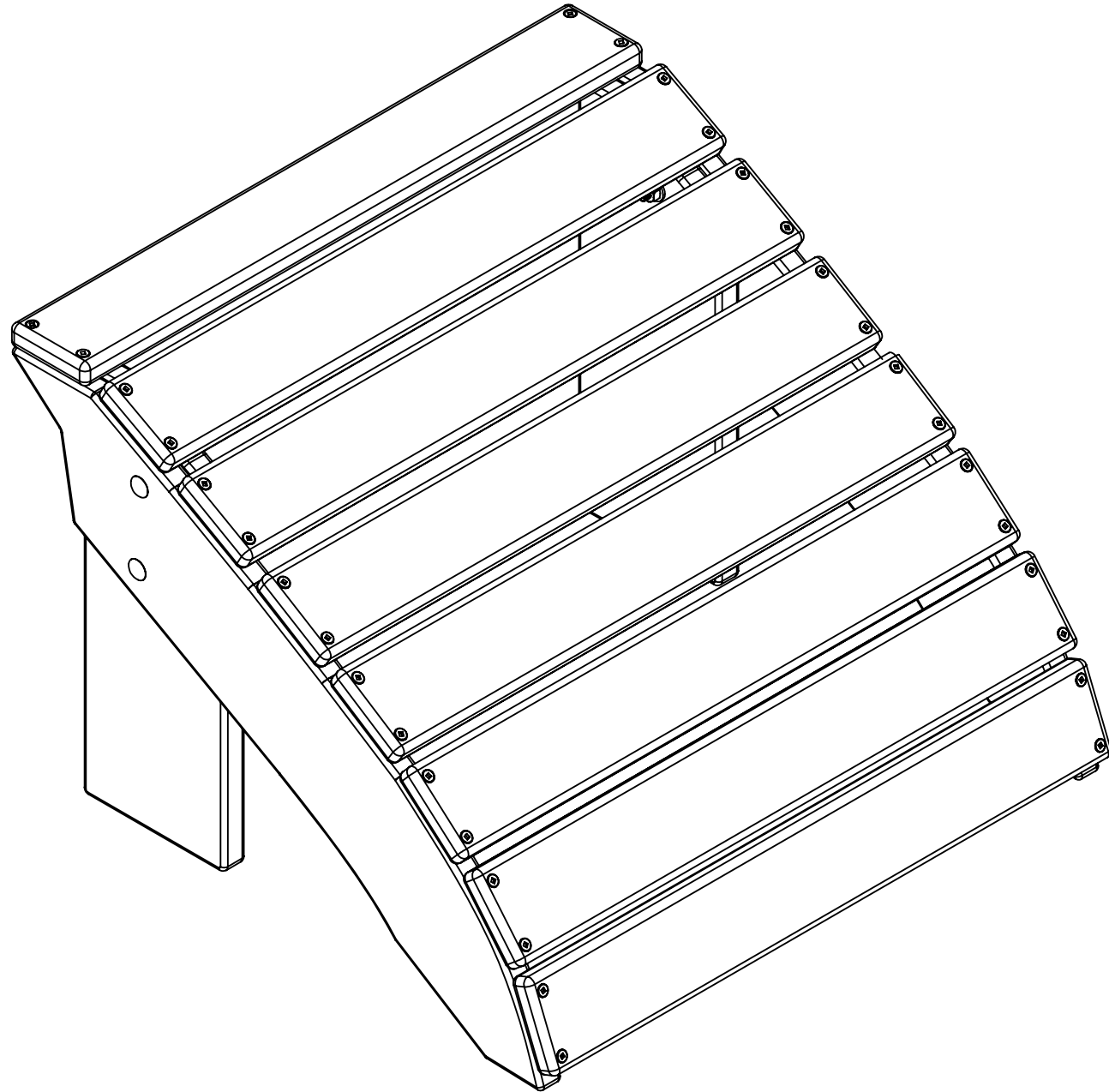
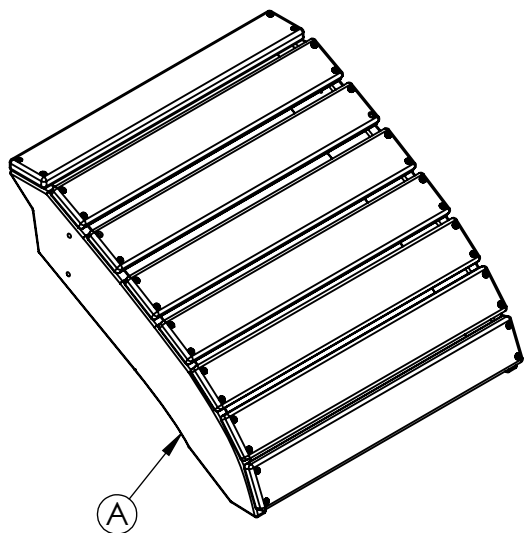


**ADIRONDACK OTTOMAN
INSTRUCTIONS
BC1170**

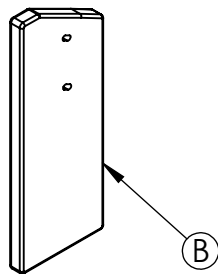
REV# 1
11/8/2017



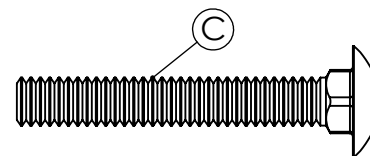
ADIRONDACK OTTOMAN INSTRUCTIONS BC1170



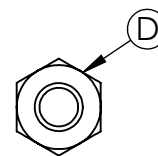
1
Leg Rest Assembly



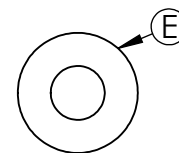
2
Leg Support
ABC-P0024



4
1/4"-20 x 1.75" Carriage Bolt
CARR025C175188



4
1/4"-20 Hex Nut
NFHX025CNUT188



4
1/4"-20 Flat Washer
WUSS025WAS188

**REQUIRED TOOLS
(NOT INCLUDED)**
- 7/16" SOCKET OR WRENCH

**NOTE: IT IS IMPORTANT TO KEEP ALL SCREWS LOOSE
DURING ASSEMBLY UNTIL ENTIRE ITEM IS ASSEMBLED**

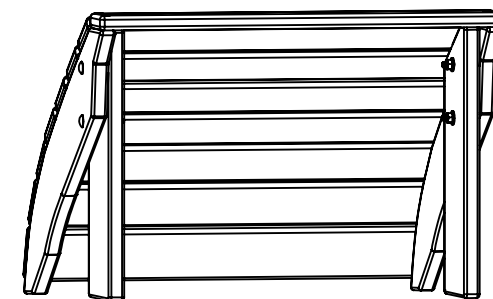
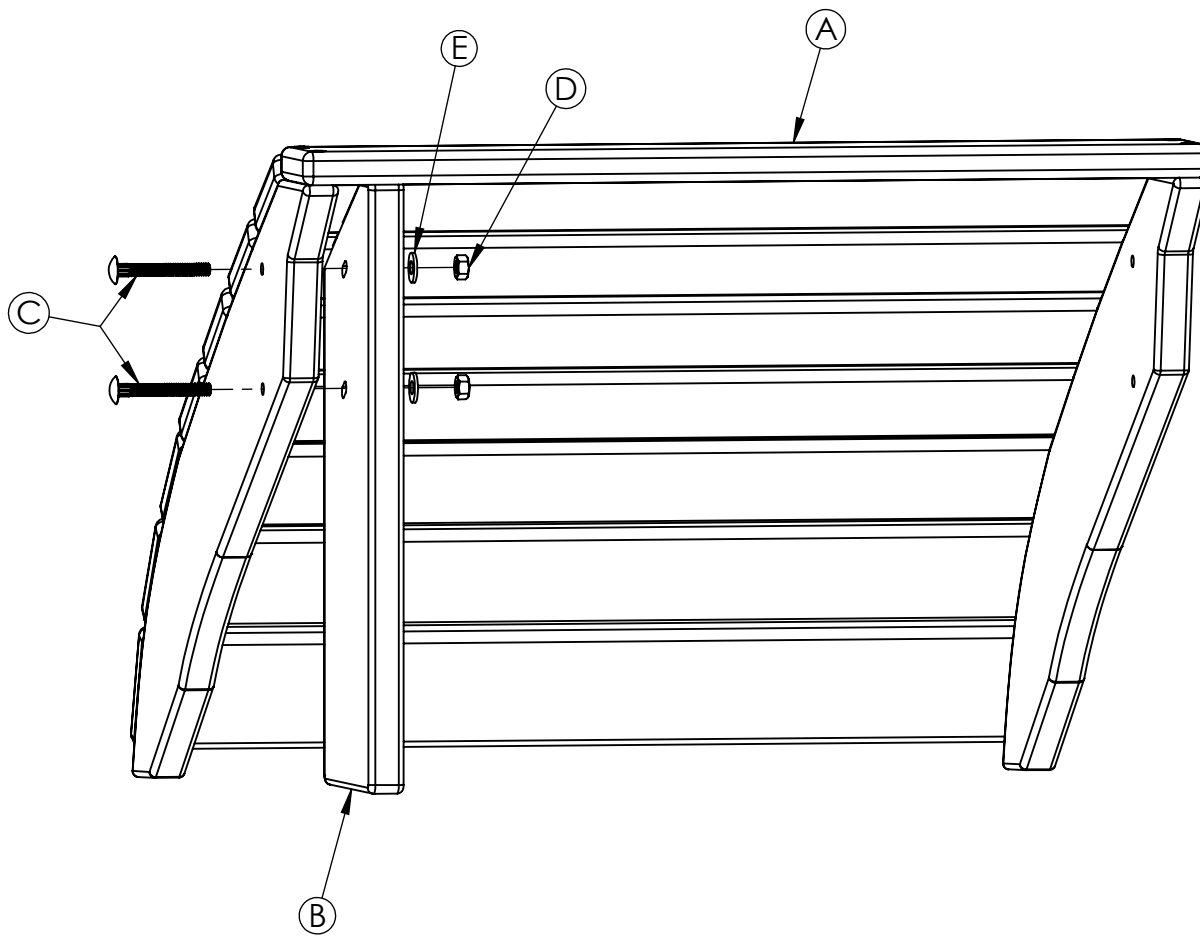
**HARDWARE &
TOOLS REQUIRED
FOR ASSEMBLY**

2/4

ADIRONDACK OTTOMAN INSTRUCTIONS BC1170

STEP 1 Leg Rest and Leg Assembly

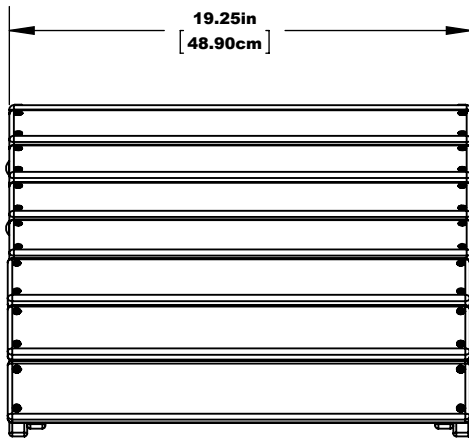
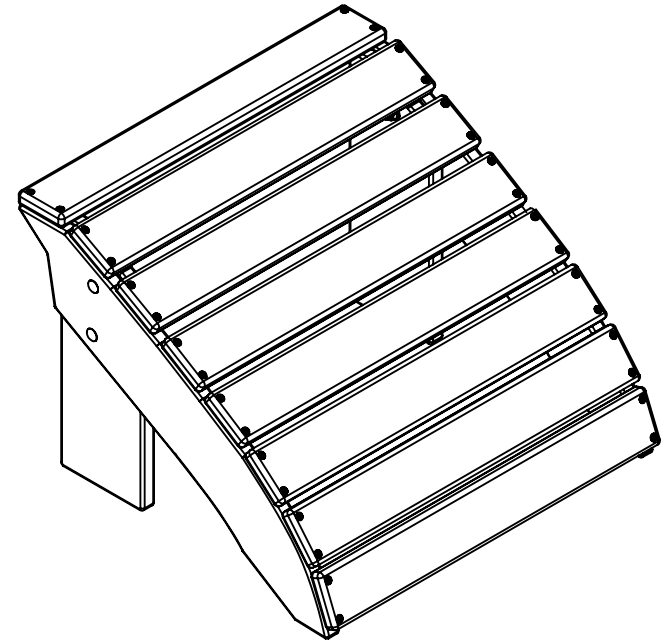
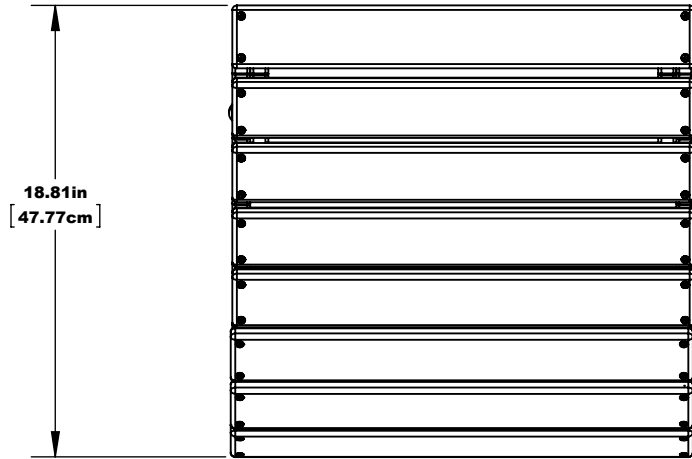
- Attach the leg rest assembly (A) to the leg support (B) with two 1/4"-20 x 1.75" carriage bolts (C)
- Secure with a 1/4" flat washer (E) and a 1/4" hex nut (D) per bolt
- Repeat for other leg support (B)
-



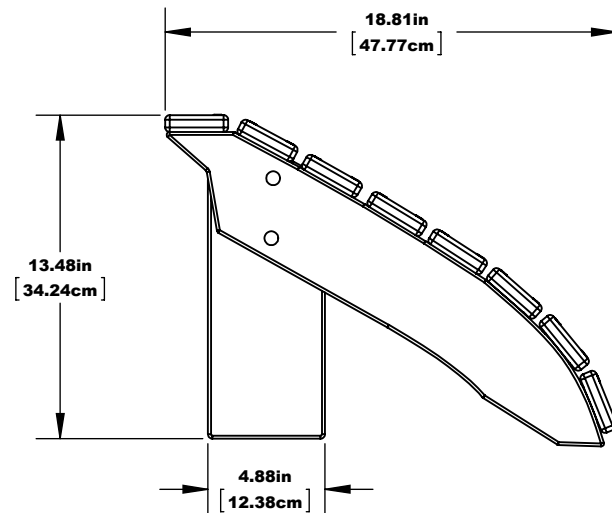
ADIRONDACK OTTOMAN SPECIFICATIONS BC1170

REV# 1
11/8/2017

TOP



FRONT



SIDE

CONSTRUCTION MATERIALS:
Recycled Plastic
HARDWARE:
Stainless Steel