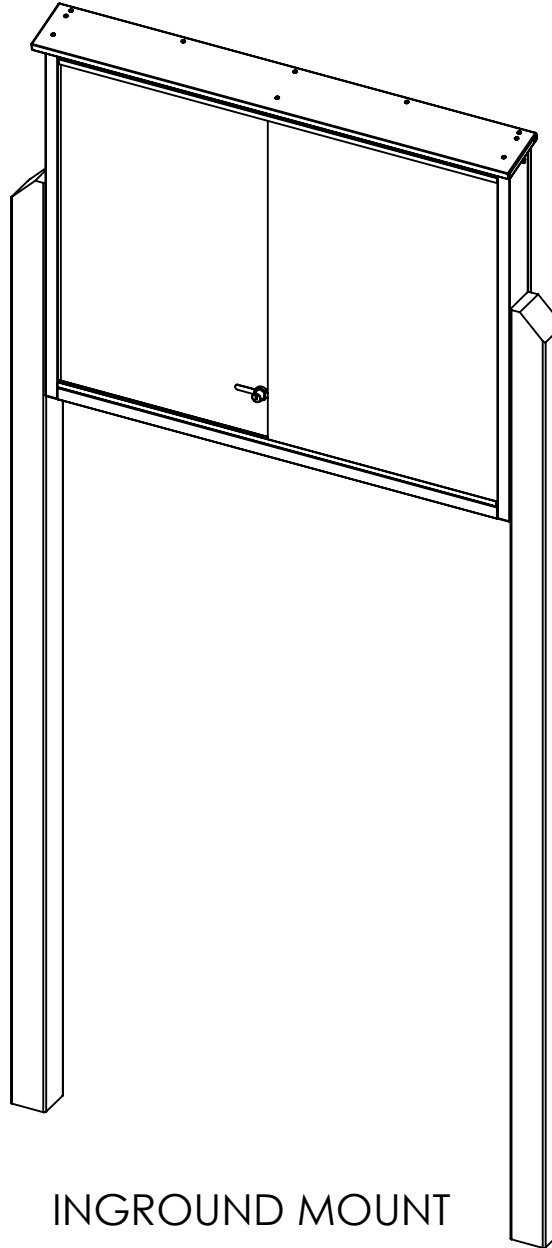


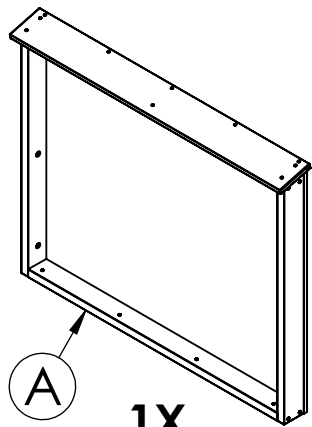
SUPERSAVER INGROUND MESSAGE CENTER INSTRUCTIONS

MC5306
8/19/22
REV #2

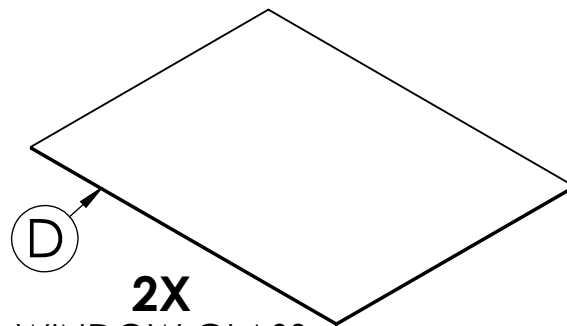


INGROUND MOUNT

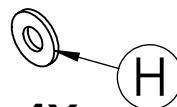
SUPERSAVER INGROUND MESSAGE CENTER INSTRUCTIONS



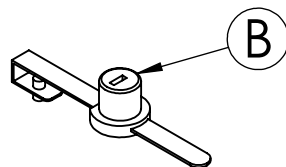
1X
MESSAGE CENTER



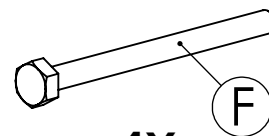
2X
WINDOW GLASS
GLASS-SS-LG-MP



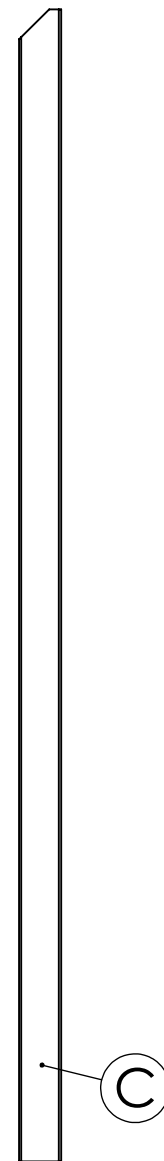
4X
1/4" FLAT WASHER
WUSS025WAS188



1X
SLIDING LOCK
1RBK7



4X
1/4" X 4" LAG SCREW
HLAG025C400188



2X
POST
AMC-P0304-ING

REQUIRED TOOLS (NOT INCLUDED)

- 1 - 7/16" SOCKET
- 1 - SCREW GUN
- 1 - 1/4" DRILL BIT
- 1 - #2 PHILLIPS BIT
- 1 - LEVEL

OTHER REQUIRED MATERIALS FOR INGROUND MOUNTING (NOT INCLUDED)

- 2 - 80lb BAG OF SAKCRETE
- 1 - POST HOLE DIGGER
- GUIDE WIRES
- A FRIEND TO HELP

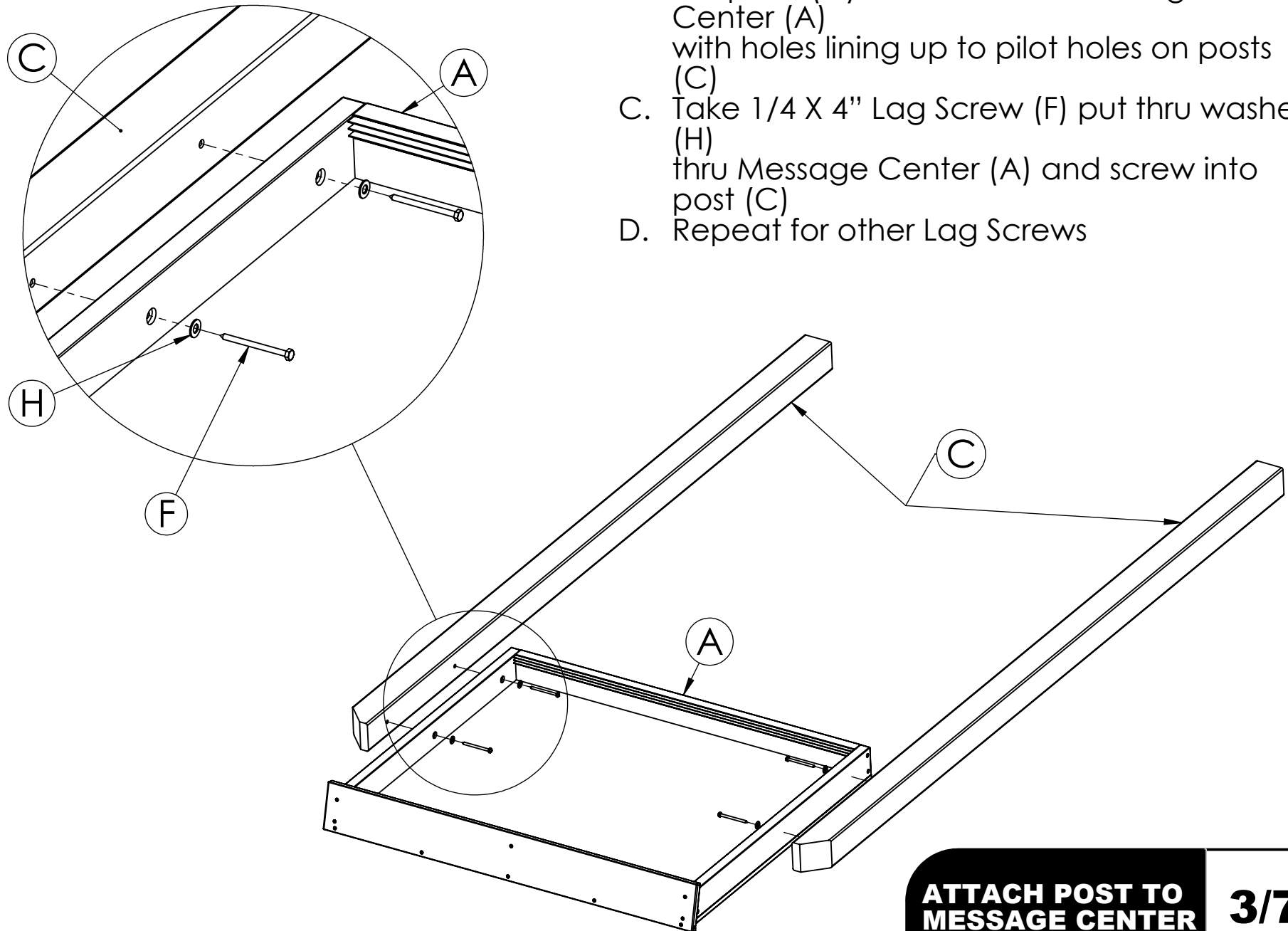
**COMPONENTS &
TOOLS REQUIRED
FOR ASSEMBLY**

2/7

SUPERSAVER INGROUND MESSAGE CENTER INSTRUCTIONS

STEP #1

- A. Lay Message Center (A) on the ground
- B. Put posts (C) on the side of Message Center (A) with holes lining up to pilot holes on posts (C)
- C. Take 1/4 X 4" Lag Screw (F) put thru washer (H) thru Message Center (A) and screw into post (C)
- D. Repeat for other Lag Screws



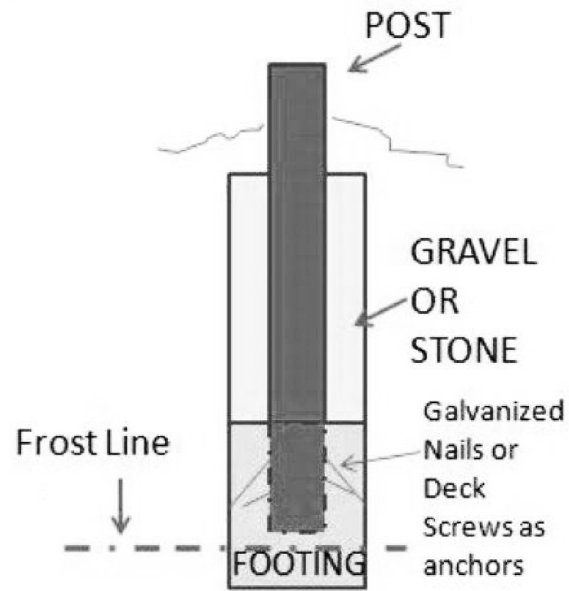
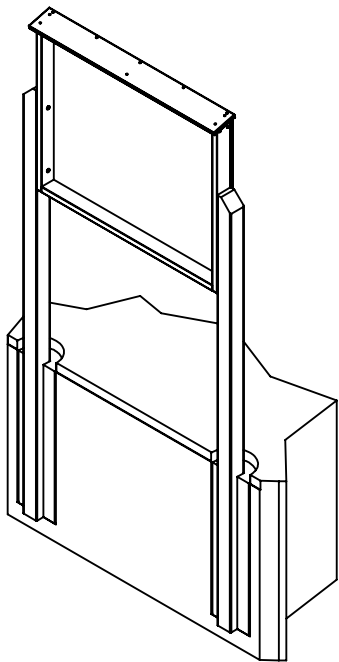
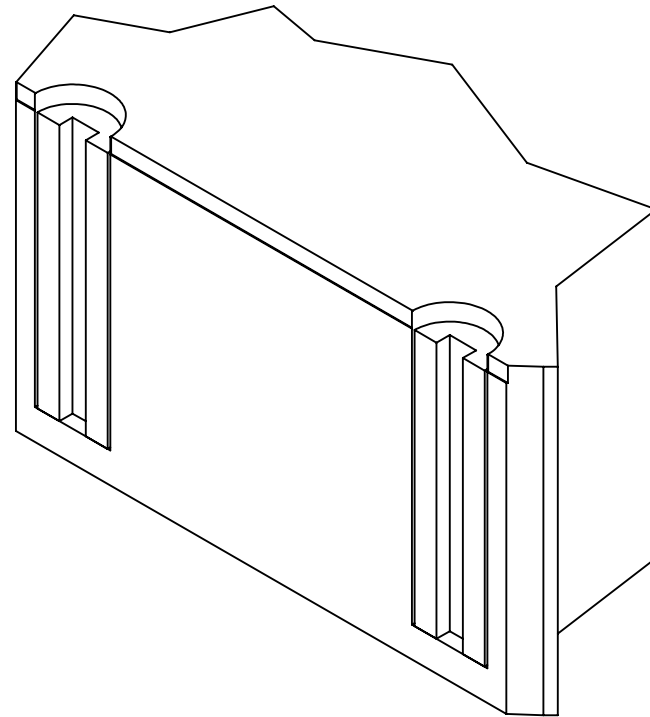
**ATTACH POST TO
MESSAGE CENTER**

3/7

SUPERSAVER INGROUND MESSAGE CENTER INSTRUCTIONS

STEP #2-A (INGROUND MOUNT)

- A. Dig two holes, approximately 10" in diameter to a depth of 36" (or to building code / frost line)

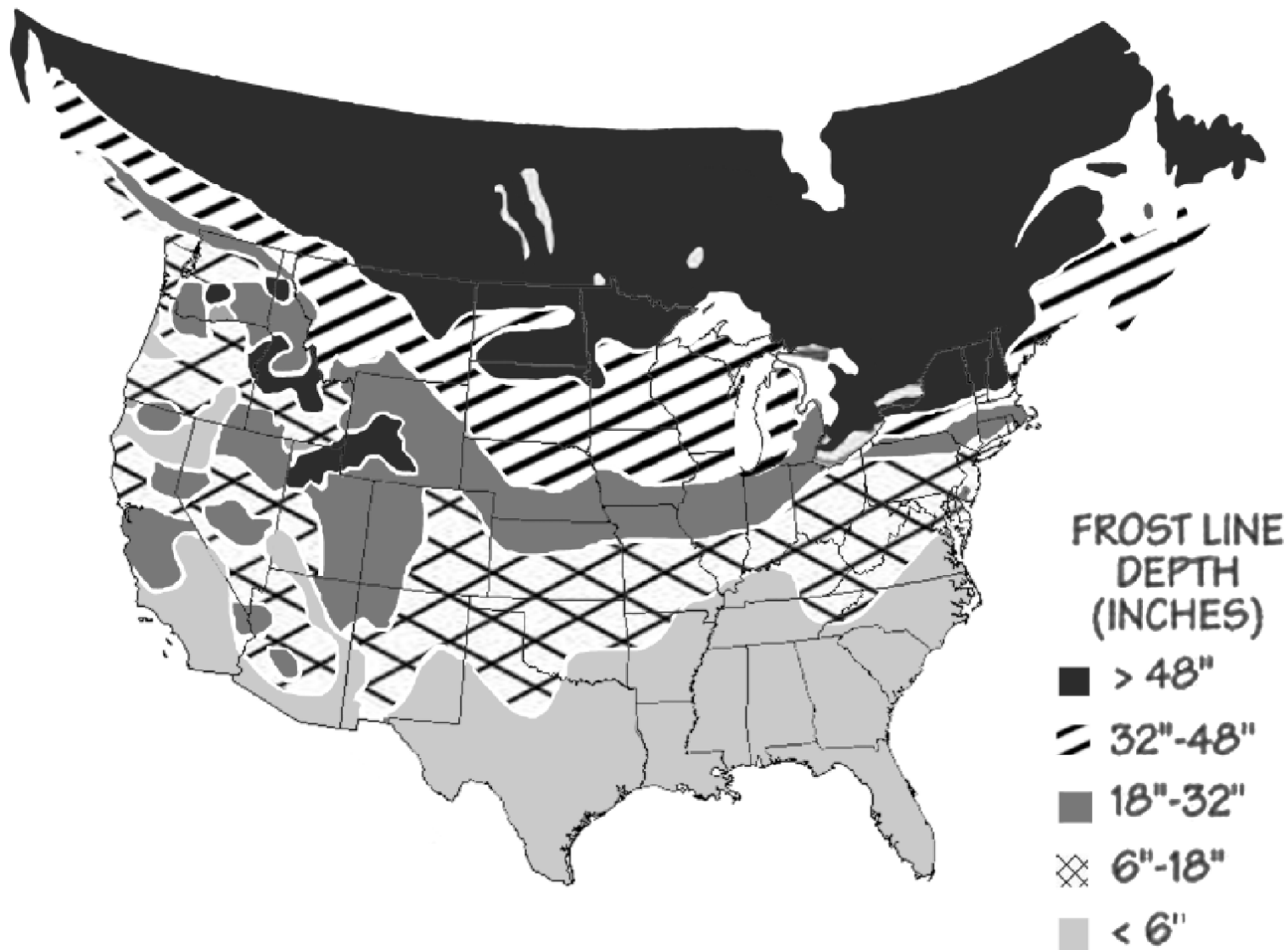


Post in Poured Concrete Footing

STEP #2-B (INGROUND MOUNT)

- A. Place post into holes.
B. Fill with Sakcrete to a level about 4" - 6" below ground level
C. Use guide wire to secure until Sakcrete is dry
D. Use a level to make sure Message Center is square and level

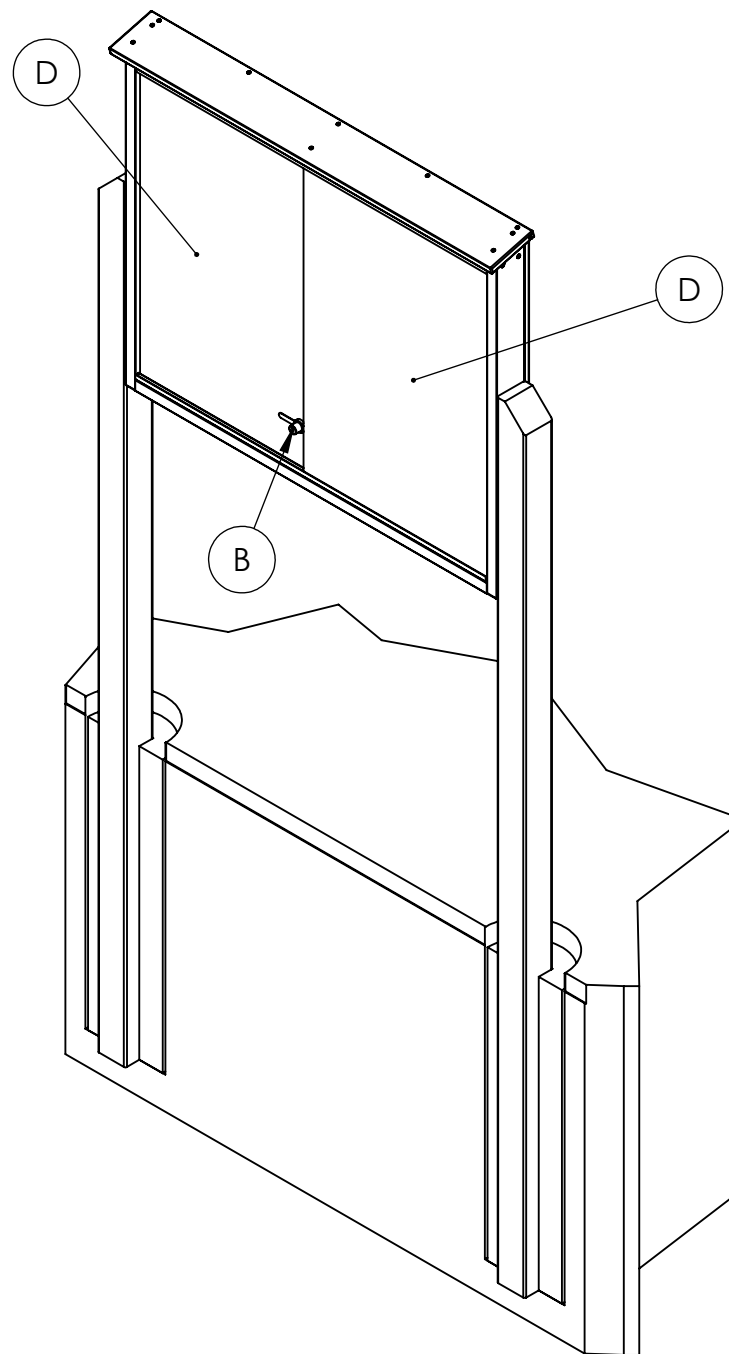
SUPERSAVER INGROUND MESSAGE CENTER INSTRUCTIONS



SUPERSAVER INGROUND MESSAGE CENTER INSTRUCTIONS

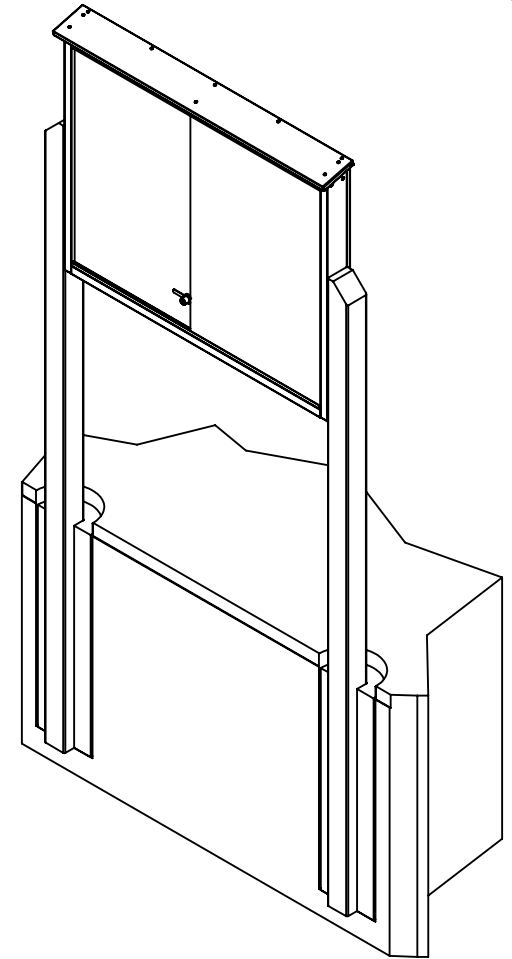
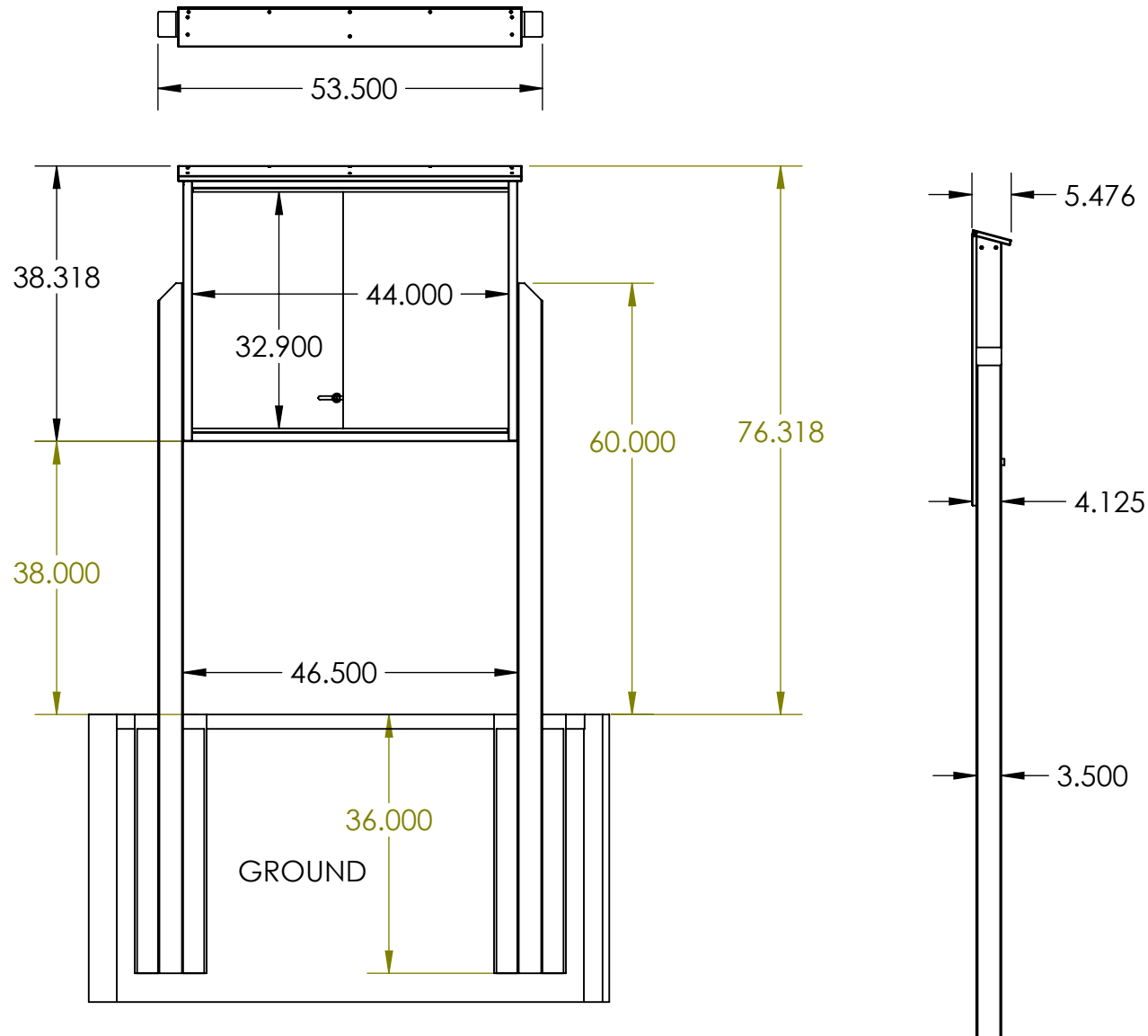
STEP #3

- A. Remove protective film from Window Glass (D)
- B. Gently Bend the Window Glass (D) into Door Track (J)
- C. Make sure one piece of Window Glass (D) is in the rear track, and one piece is in the front track
- D. Attach Sliding Lock (B) set screw to Window Glass (D) by tightening in desired lock location
- E. Secure Windows by locking the Sliding Lock (B)



SUPERSAVER INGROUND MESSAGE CENTER SPECIFICATIONS

MC5306 INGROUND MOUNT
8/19/22
REV #2



NOTE:
CHECK LOCAL CODES
FOR FROST DEPTH

ALL DIMENSIONS SHOWN IN INCHES