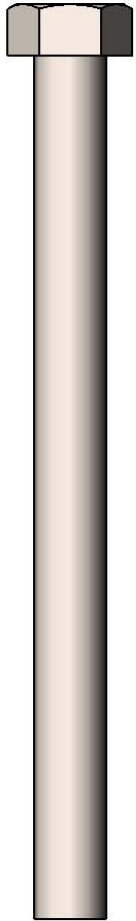


Model # 650-3-U

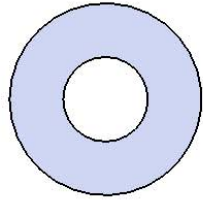
SAFETY WARNINGS & EQUIPMENT INSPECTION

- Owners and installers please note these safety warnings and make use of this checklist on a regular basis.
- Follow installation instructions when erecting equipment.
- Ground surfaces around equipment should be restored as needed. Concrete footings should never be exposed. Surface depth should comply with ASTM and CPSC specifications.
- Check for and repair damage caused by wear or vandalism, a major factor in injury causing situations.
- All protruding bolts should be covered or cut off and finished smooth. Sharp edges on pipes should be capped or removed. Check for bent, broken, or severely worn pipe, and replace.
- All equipment should be free of rust and repainted whenever necessary to deter rusting.
- We provide our customers with layout sheets and installation instructions. Please keep on file the specifications sheet that contains the listing of every part used.
- Never add components not intended for use with this product.
- Regular maintenance is necessary in this and all park and recreational equipment to insure the safety of the user.
- Note: Proper maintenance of equipment requires regular tightening of all bolts, nuts, and setscrews.
- Note: Regular checking of all parts, castings, etc. should be made. If a part is broken or worn, it should be replaced immediately.
- Check to be sure all fittings are tight and that bars and pipes do not move.
- Replace all worn S-hooks. S-hooks must be completely closed. Failure to close S-hooks can result in serious injury to the user. NEVER reuse S-hooks.
- Test for free movement of swing hanger and other moving attached parts.
- Check for worn chains and replace them.
- A soft resilient surface should be placed under all swings extending at least twice the height of the top rail both front and back.

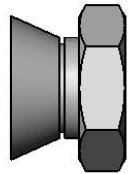
HARDWARE



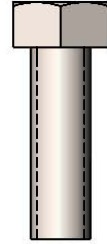
3/8" x 4-1/2"
Machine Bolt



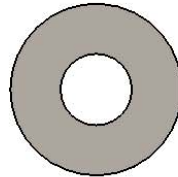
3/8" Washer



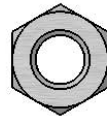
3/8" Breakaway
Nut



5/16" x 1"
Machine Bolt

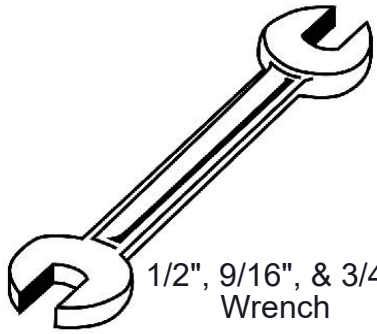


5/16" Washer



5/16" Hex Nut

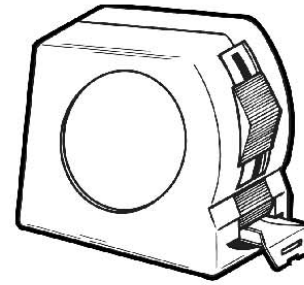
TOOLS REQUIRED



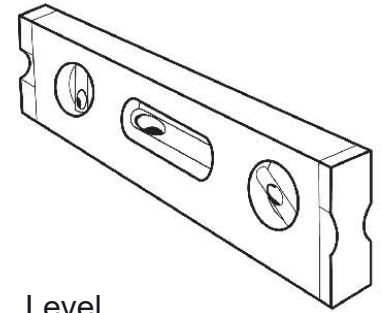
1/2", 9/16", & 3/4"
Wrench



1/2", 9/16", & 3/4"
Socket Wrench



Tape Measure



Level

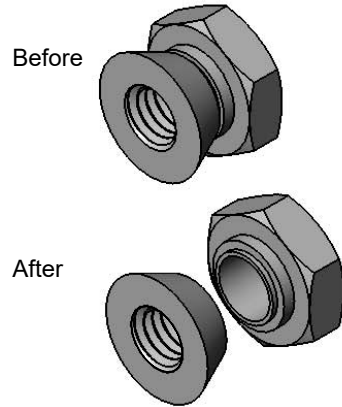
PRODUCT SPECIFICATIONS

650-3-U Family Size Grill

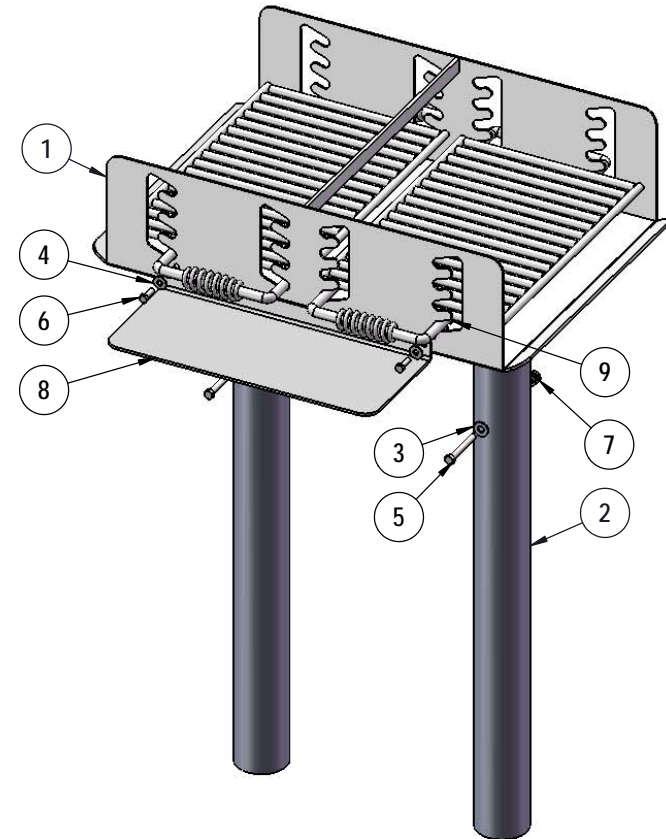
Firebox shall have a length of 20", a width of 28" and a height of 8". Sides shall be fabricated of 10-gauge steel and the floor of 3/16" steel plate for added strength. For safety, corners of firebox shall be rounded. Utility shelf shall have a length of 8" and width of 19" and be fabricated of 7-gauge steel. Cooking grates shall be fabricated from 1/2" steel bars with a cooking surface of 560 sq. Inches. Support bars for grate will be of heavier 5/8" round steel, with cool coil chrome plate spring grip handles on one end. Grates will adjust to four (4) convenient levels. Finish shall be non-toxic rust resistant, powder coat black paint. Support posts will be two (2) 3-1/2" O.D. galvanized steel pipes, 40" in length.

COMPONENTS

Attach the 3-1/2" Grill Posts and Utility Shelf to the 650 Grill Box as shown using specified hardware. Note: Round edge of Breakaway Nut goes towards the post.

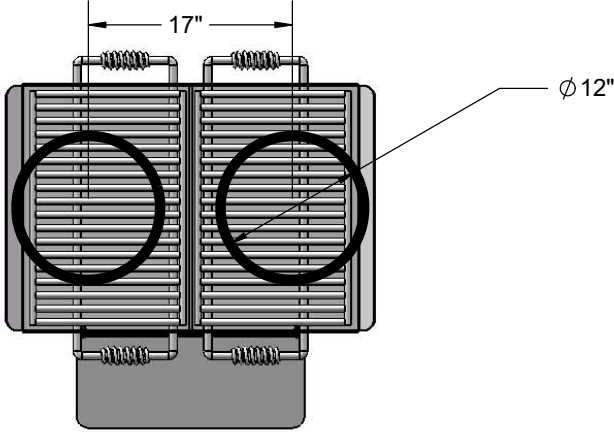


Hex part of nut will break off when tightened to 185in-lbs.



| ITEM NO. | PartNo | DESCRIPTION | QTY. |
|----------|------------|--------------------------------|------|
| 1 | 650-3 | 650-3 Grill Box | 1 |
| 2 | 01-03-0090 | 3-1/2" IG Grill Post | 2 |
| 3 | 33-02-0002 | 3/8" Zinc Plated Washer | 4 |
| 4 | 33-02-0001 | 5/16" Zinc Plated Washer | 4 |
| 5 | 33-05-0058 | 3/8" x 3" Machine Bolt (zinc) | 2 |
| 6 | 33-05-0001 | 5/16" x 1" Machine Bolt (Zinc) | 2 |
| 7 | 33-01-0037 | 3/8"-16 breakaway nut, zinc | 2 |
| 8 | 01-03-0010 | Grill Utility Shelf | 1 |
| 9 | 33-01-0001 | 5/16" Hex Nut (Zinc) | 2 |

FOOTINGS



Estimated Required Concrete:
12 - 50lb Bags of Concrete Mix

