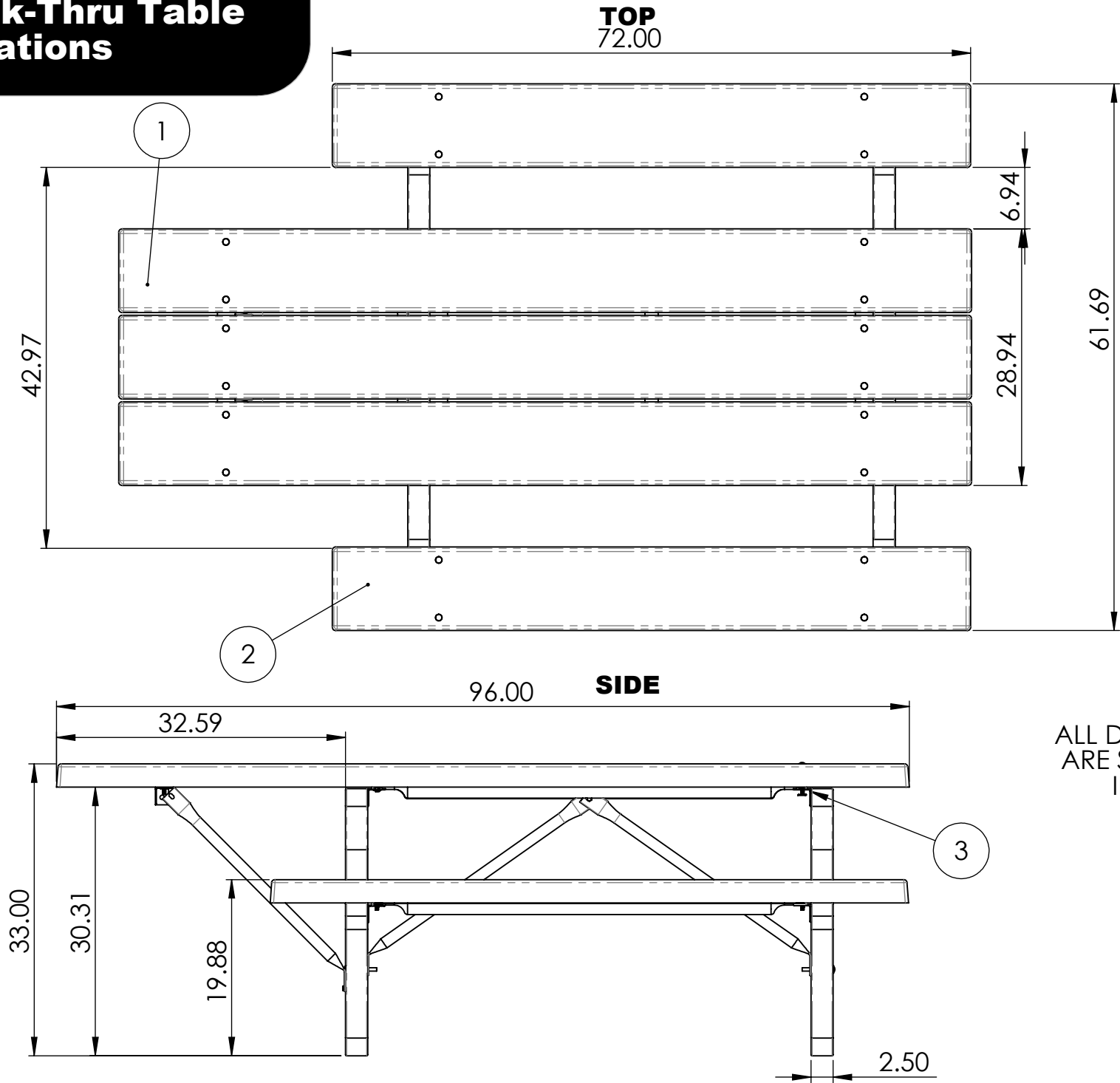
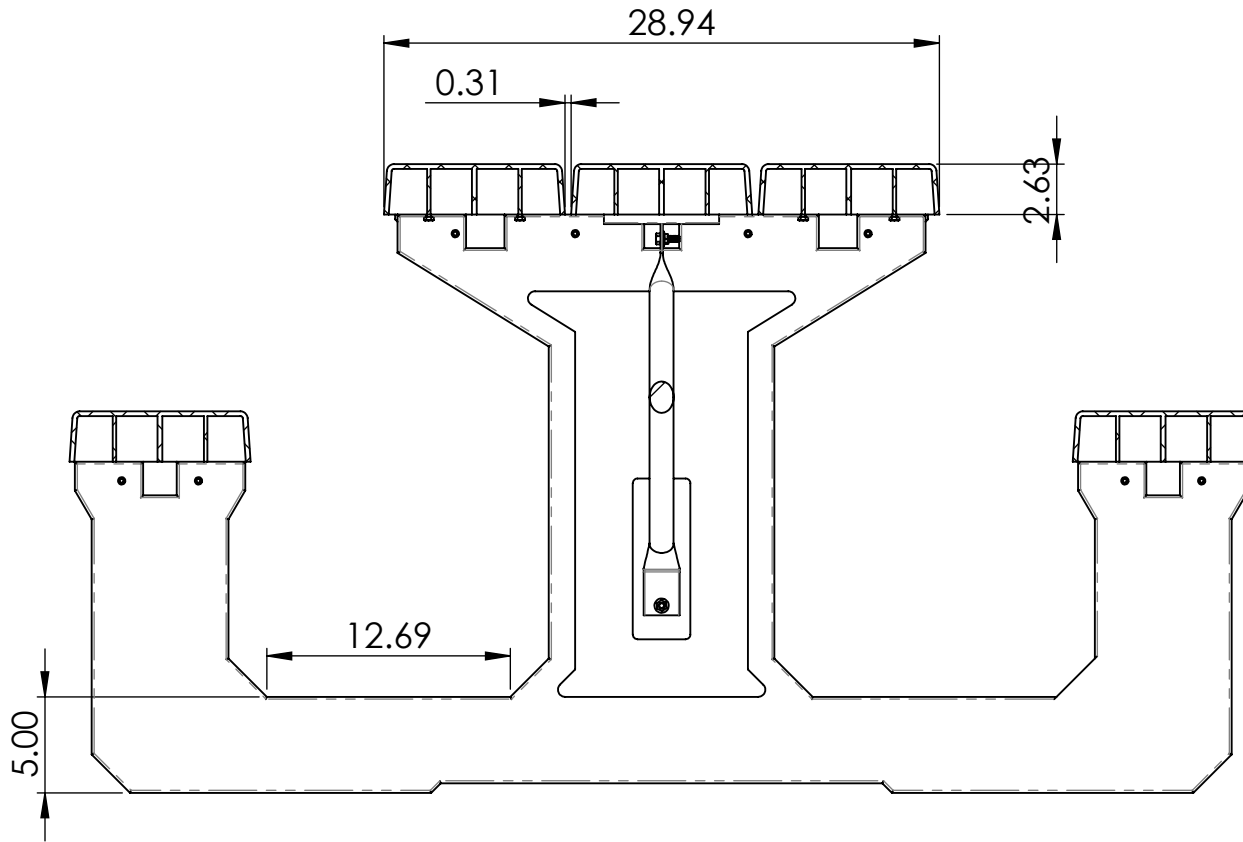


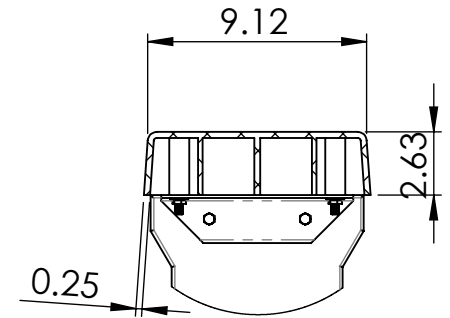
ADA Walk-Thru Table Specifications BM1440



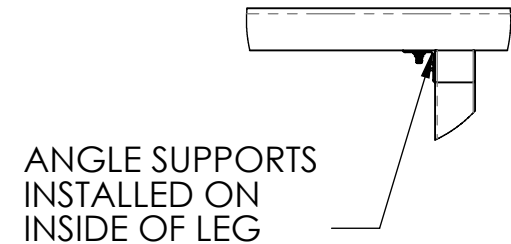
ADA Walk-Thru Table Specifications BM1440



① SIDE PROFILE DETAILS



② SEAT DETAILS



③ ASSEMBLY DETAIL

HARDWARE: ZINC PLATED
CONSTRUCTION MATERIALS: POWDER COATED METAL, PLASTIC

ALL DIMENSIONS
ARE SHOWN IN
INCHES