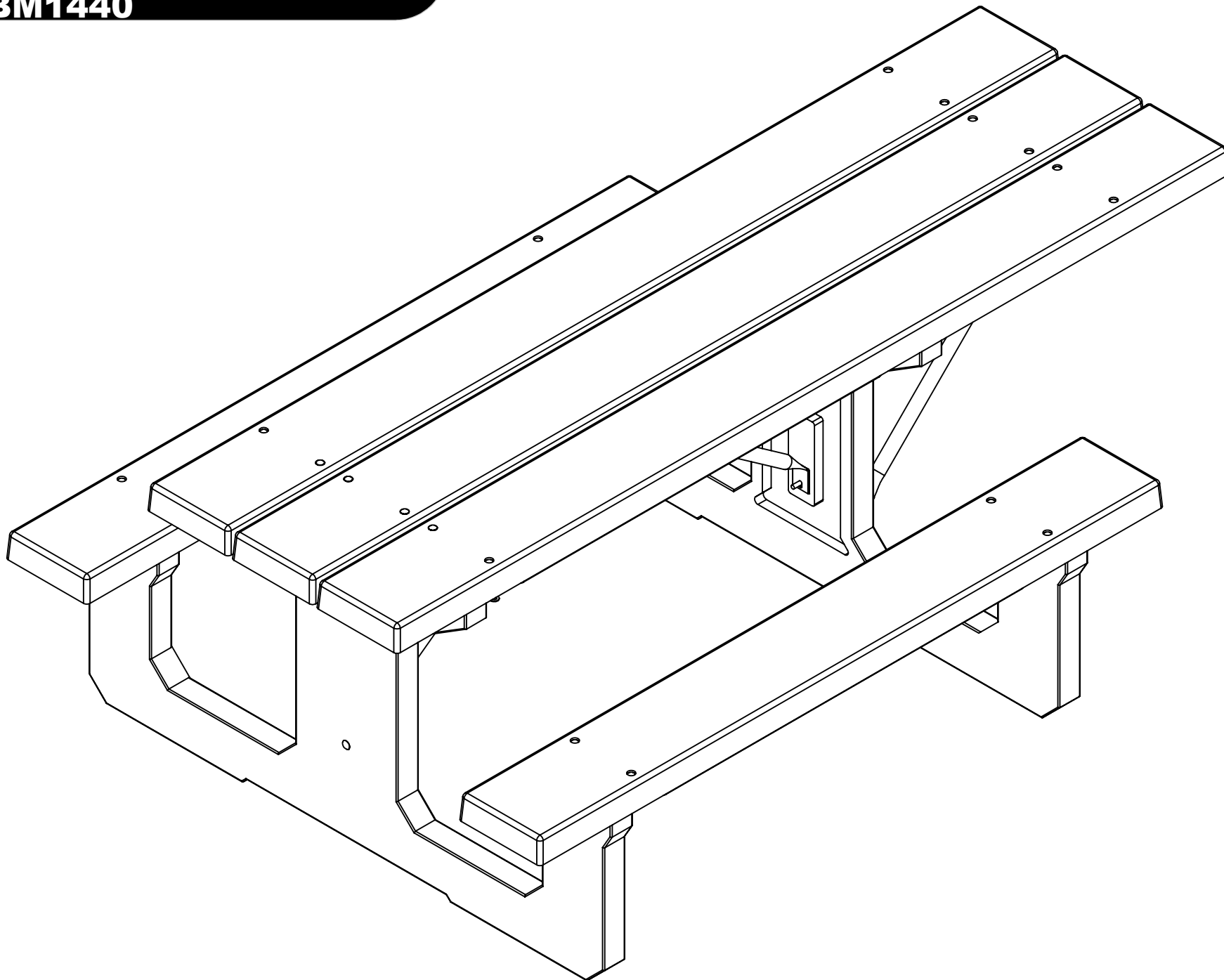
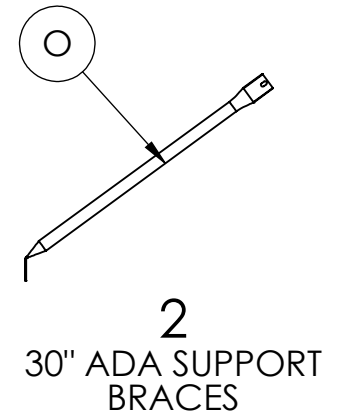
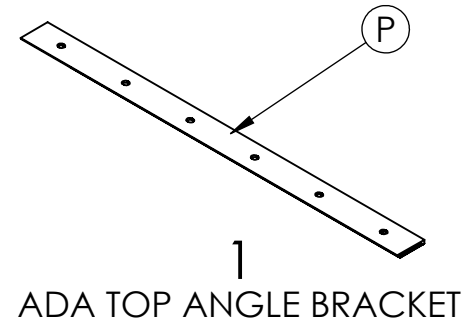
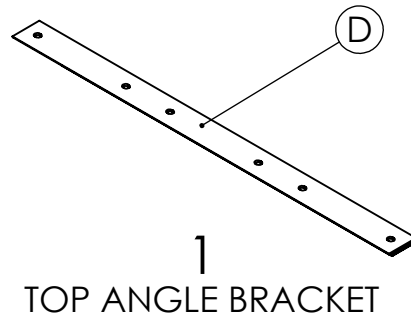
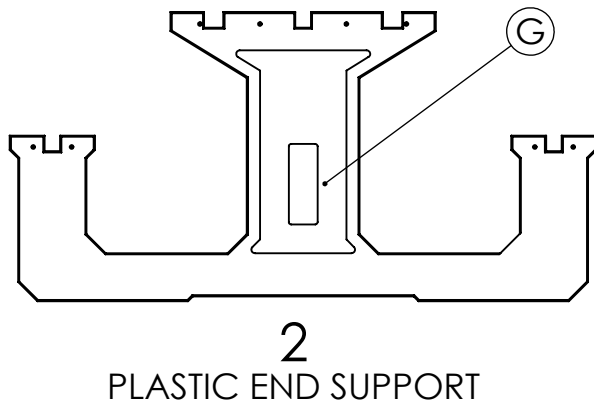
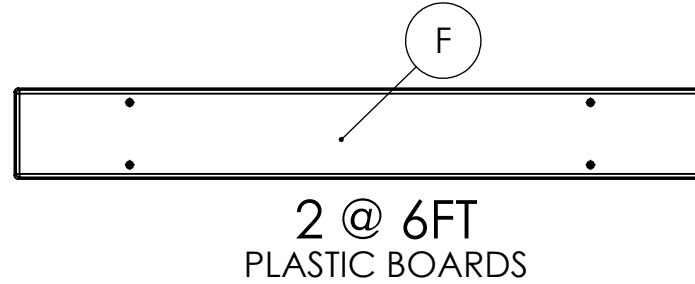
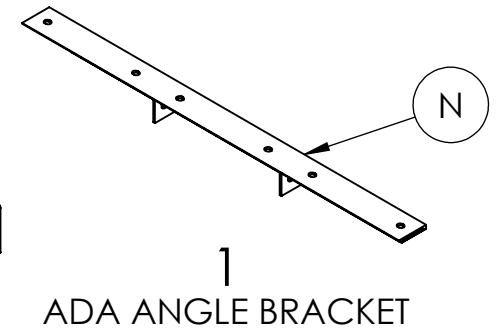
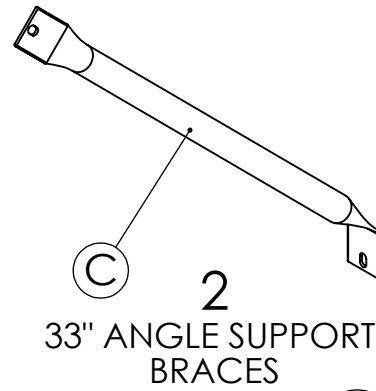
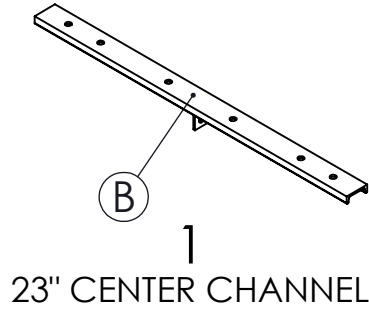
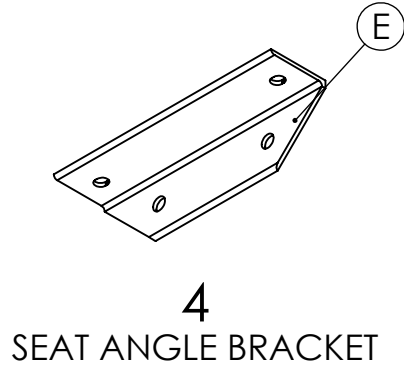
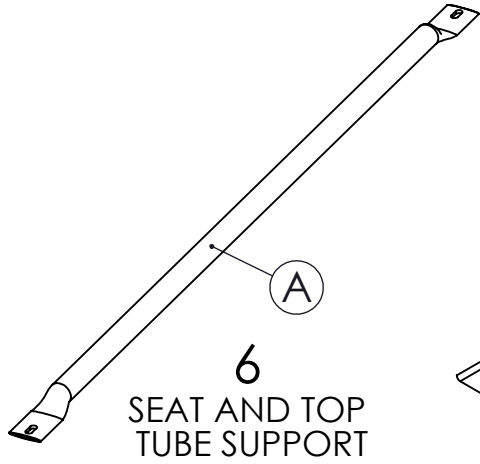


**ADA Walk-Thru Table
Instructions
BM1440**

REV# 2



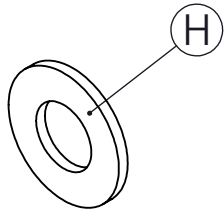
ADA Walk-Thru Table Instructions BM1440



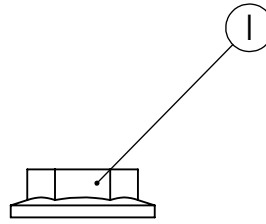
**HARDWARE &
TOOLS REQUIRED
FOR ASSEMBLY**

2/11

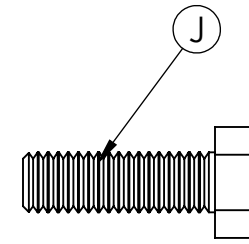
ADA Walk-Thru Table Instructions BM1440



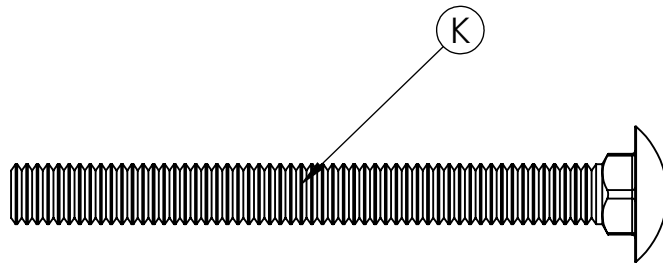
8
EXTRA THICK WASHER



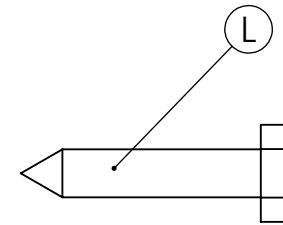
25
5/16" FLANGE NUT



3
5/16-18 X 1" HEX BOLT



22
5/16-18 X 3-1/4" CARRIAGE BOLT



30
1/4 X 1-1/2" LAG SCREW

REQUIRED TOOLS (NOT INCLUDED)

1 - 1/2" WRENCH
1 - 1/2" SOCKET
1 - 7/16" SOCKET
1/8" DRILL BIT
POWER DRILL

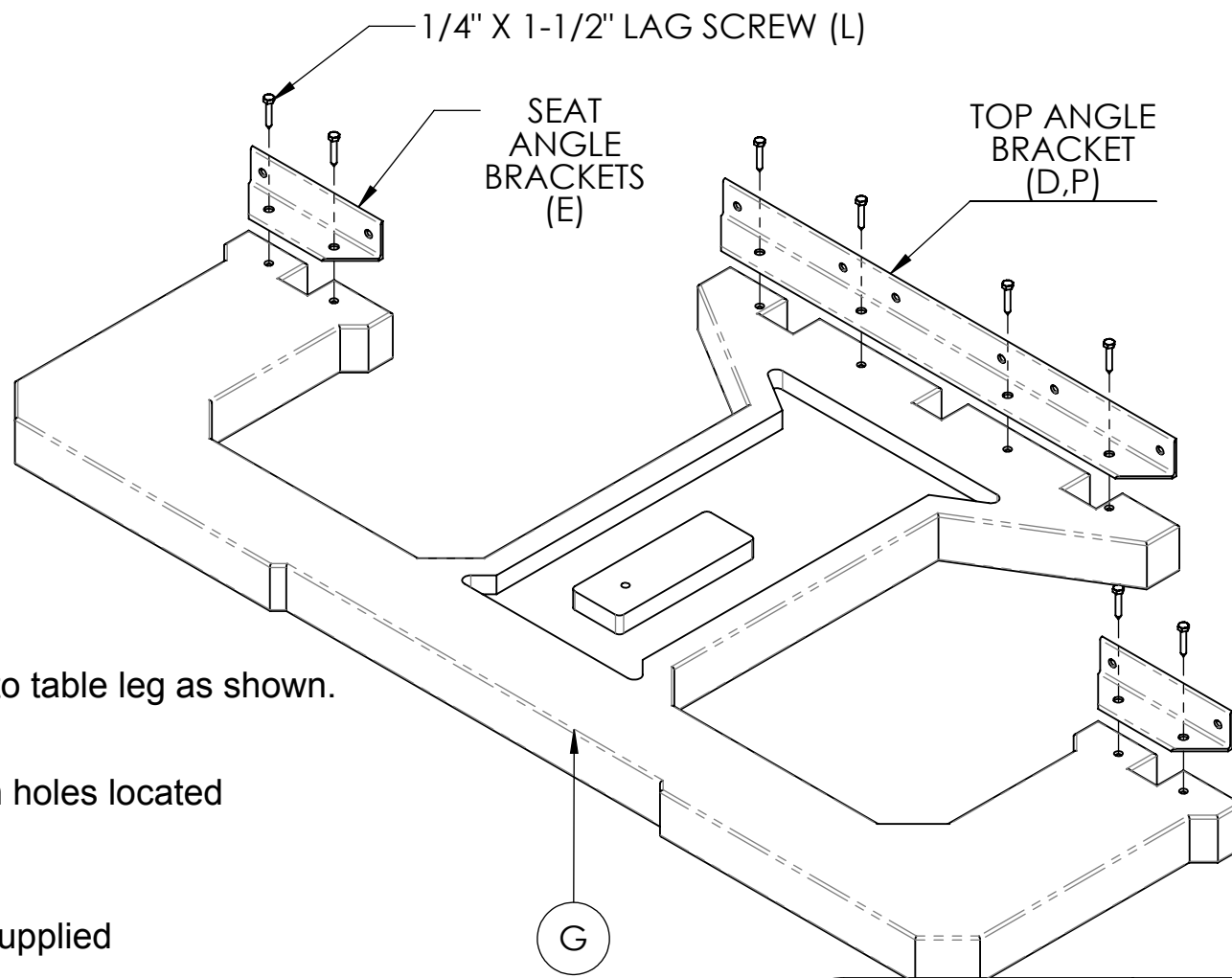
NOTE: IT IS IMPORTANT TO KEEP ALL BOLTS FINGER TIGHT DURING ASSEMBLY UNTIL ENTIRE TABLE IS ASSEMBLED

**HARDWARE &
TOOLS REQUIRED
FOR ASSEMBLY**

3/11

ATTENTION!

BEFORE STARTING TABLE ASSEMBLY, PLEASE ATTACH ANGLE BRACKETS TO TABLE LEGS AS SHOWN BELOW.



Step 1
Place angle brackets (E, D, P) onto table leg as shown.

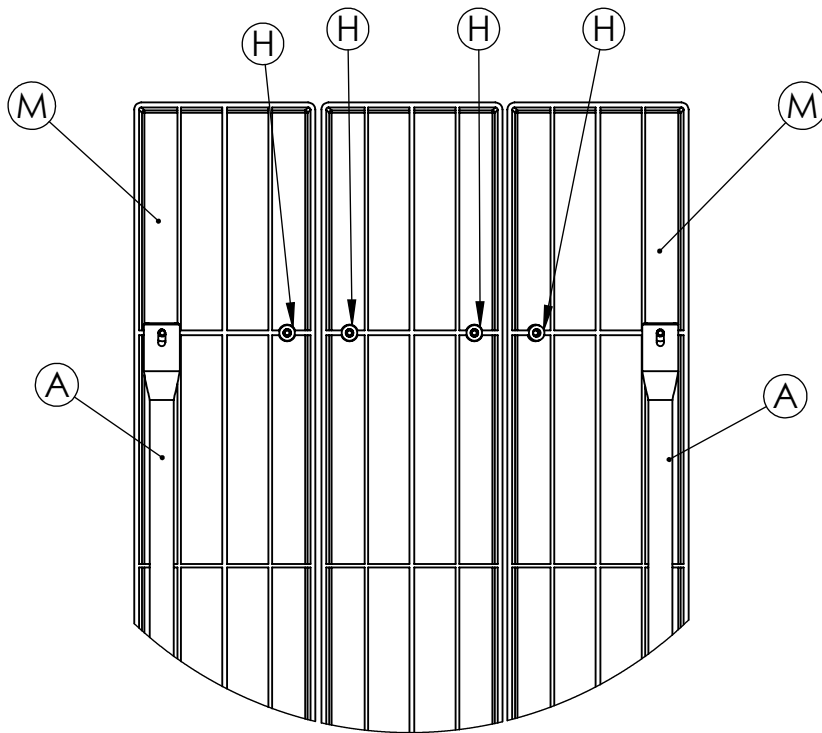
Step 2
Align holes on angle brackets with holes located on table leg.

Step 3
Fasten angle brackets using the supplied 1/4" x 1-1/2" lag screws. (L)

ADA Walk-Thru Table Instructions BM1440

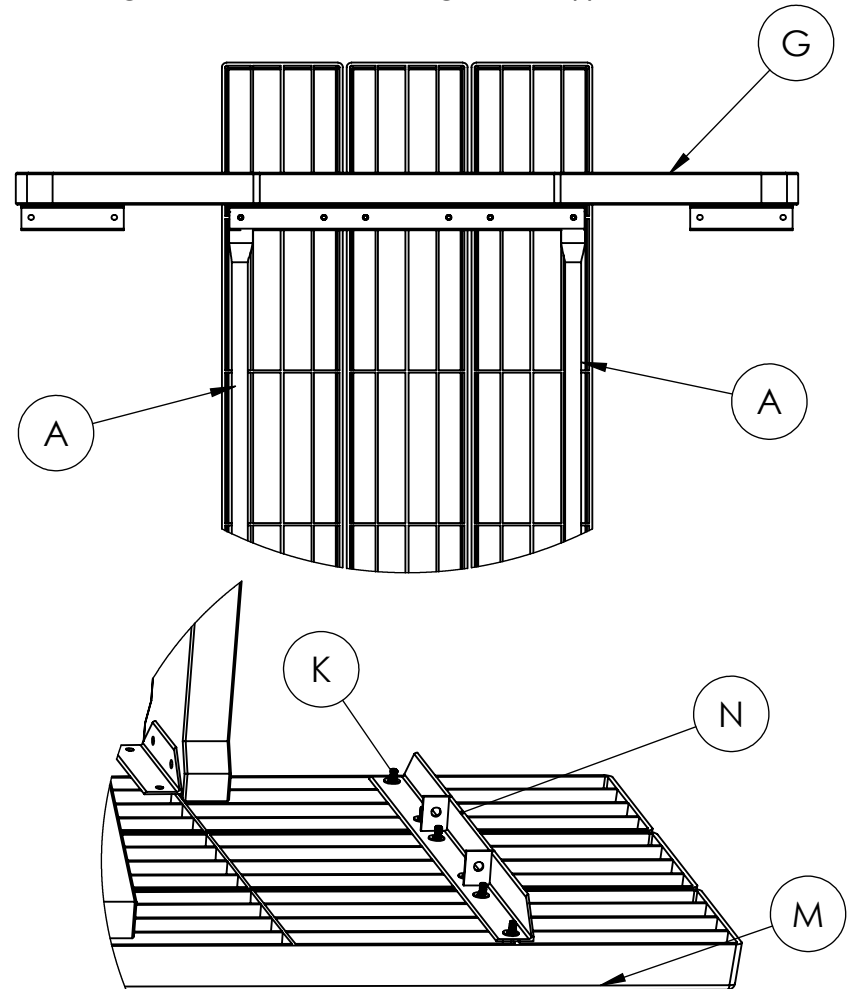
STEP #1 Tabletop Assembly

- Lay three 8ft boards (M) top side down on a flat clean surface
- Insert six 3-1/2" x 5/16" carriage bolts (K) thru the holes in the face of the boards on one end
- Insert 4 thick washers (H) on the 4 center bolts
- Add tubes (A) on to the outermost bolts with tubes laying flat against boards.



STEP #2 Leg and ADA Support Brace

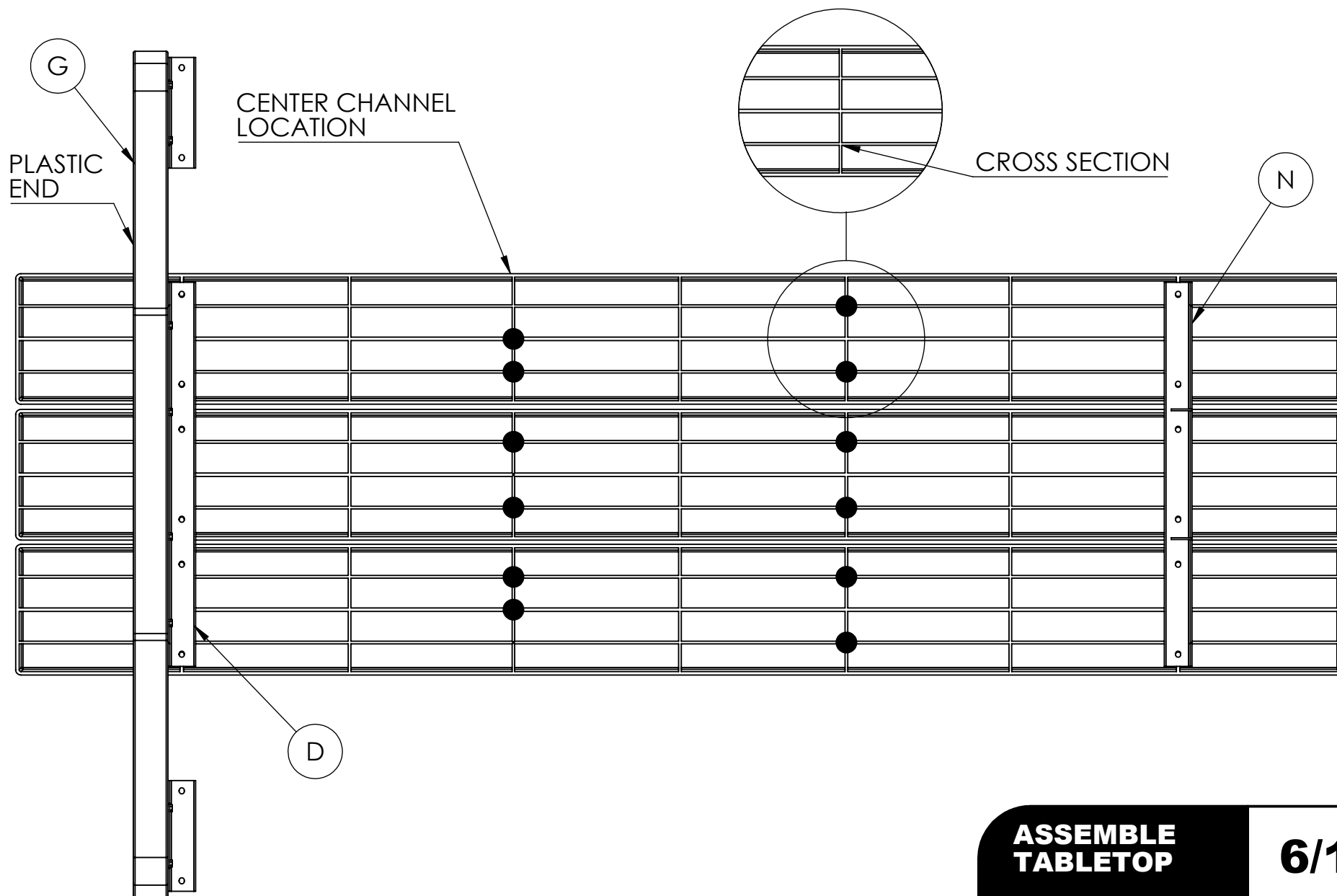
- Take a plastic end support (G) with the angle brackets attached, flip it upside down and onto the tabletop assembly of boards/thick washers/ top tube supports with angle brackets facing inward
- Loosely attach with 5/16" flange nuts. (I)
- On the opposite end insert six 3-1/2" x 5/16" carriage bolts (K) into the holes from the face of the board
- Place the ADA support brace (N) over the bolts with tabs pointing towards the plastic end support and loosely tighten with 5/16" flange nuts. (I)



ADA Walk-Thru Table Instructions BM1440

Step #3A Pilot Hole Location

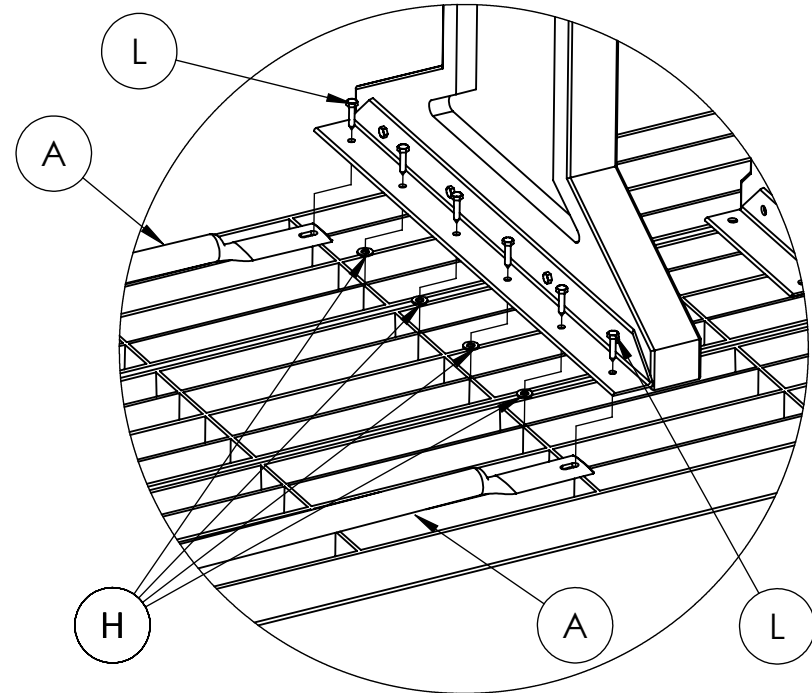
- Drill a 1/8" pilot hole 3/4" deep in the cross section of the boards as shown below by each black dot



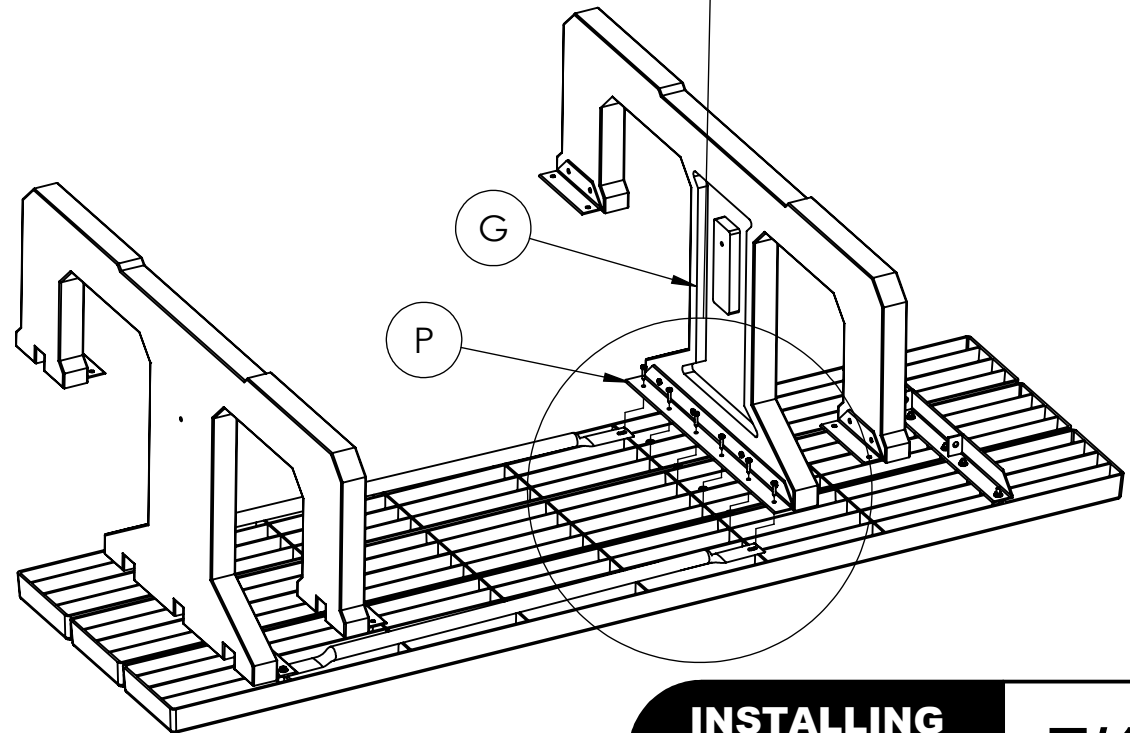
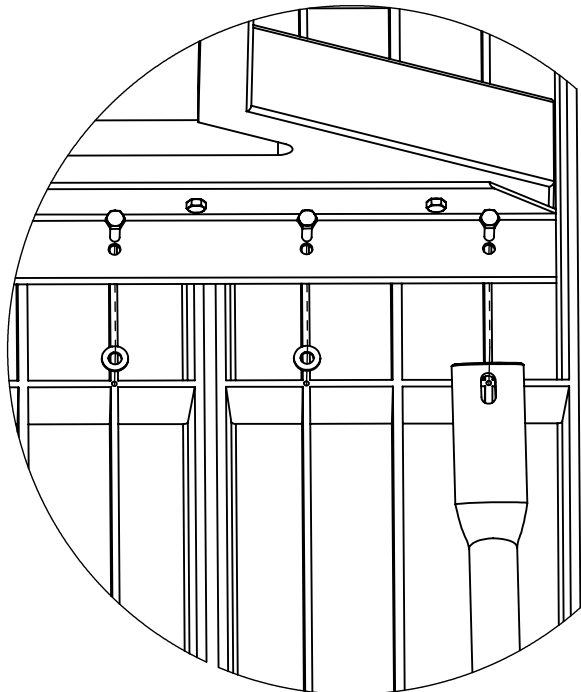
ADA Walk-Thru Table Instructions BM1440

Step #3B Plastic End Support Assembly

- Center the plastic end support (G) on the cross section that was drilled on Step 3A
- Place 4 thick washers (H) over the center pre-drilled pilot holes and align the top tube supports on the outer holes (The tube supports (A) will be at a slight angle)
- Attach plastic end support/washers/tubes together with 1-1/2" x 1/4" lag screws. (L)



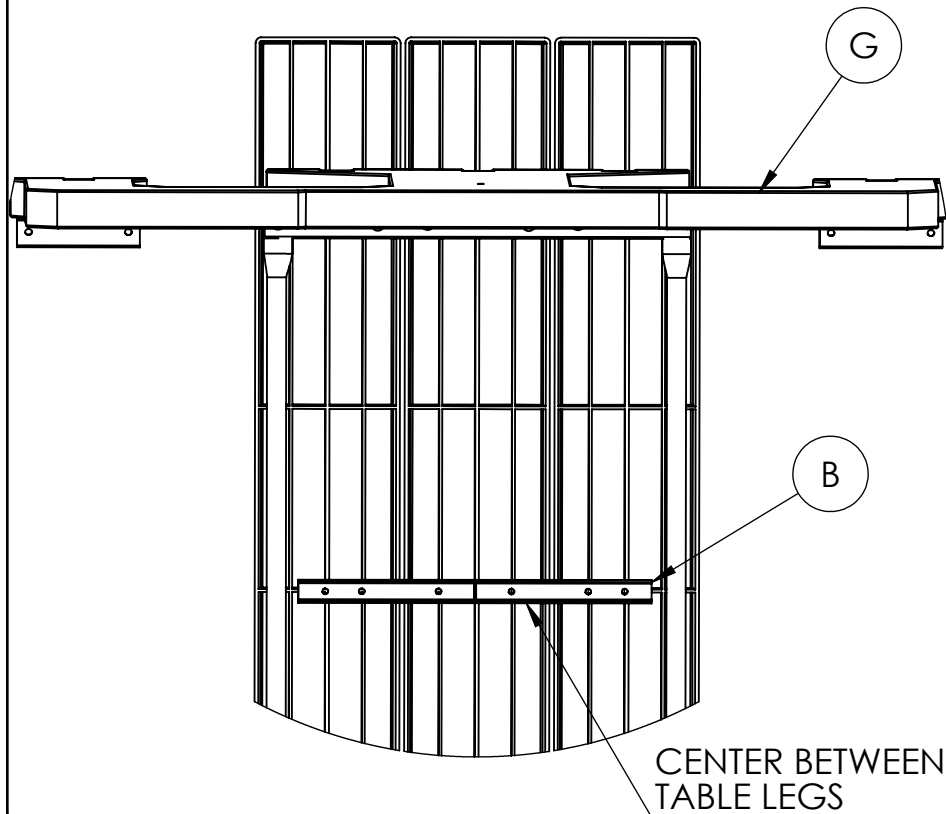
NOTE: The tube supports (A) will be at a slight angle



ADA Walk-Thru Table Instructions BM1440

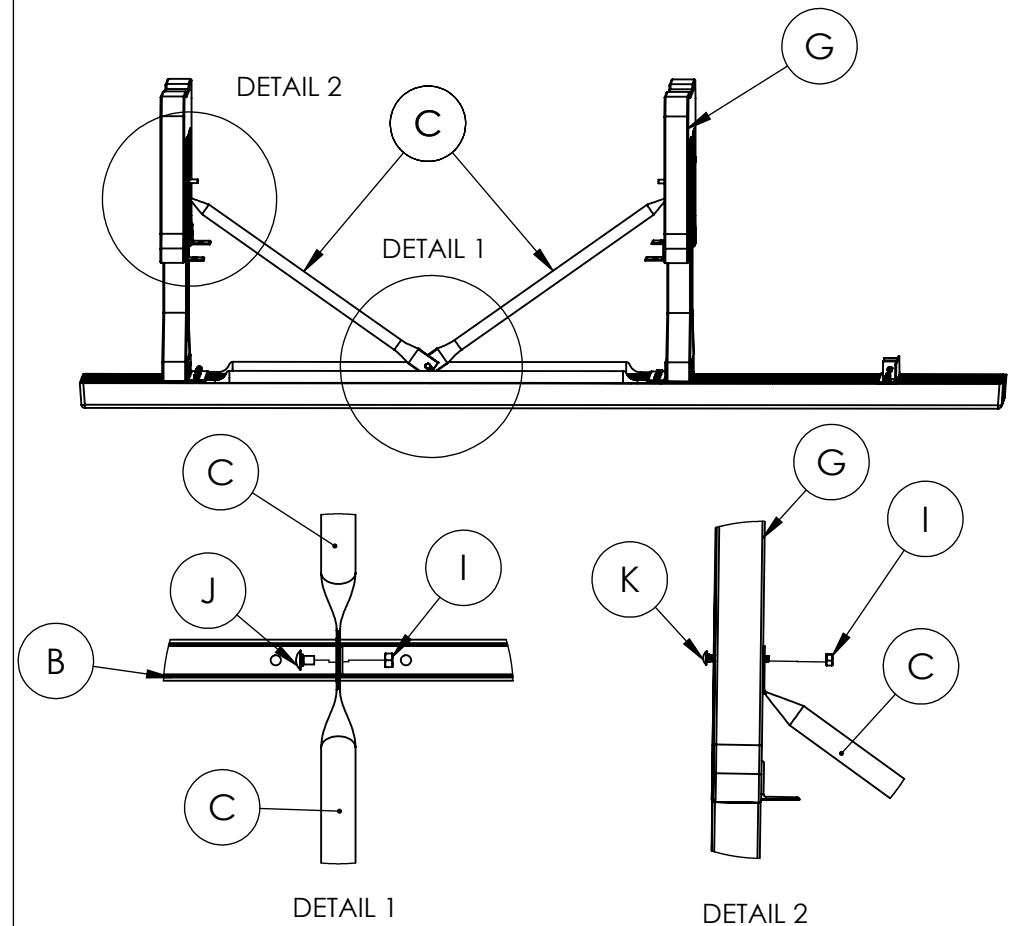
STEP #4 Attach Center Channel

- Lay the 23" center channel (B) in the middle of the tabletop assembly between the table legs
- Align the channel with the pilot holes drilled in Step 3A
- With six 1-1/4" x 1/4" lag screws (L) secure the 23" center channel to the boards.



STEP #5 Angle Support Braces

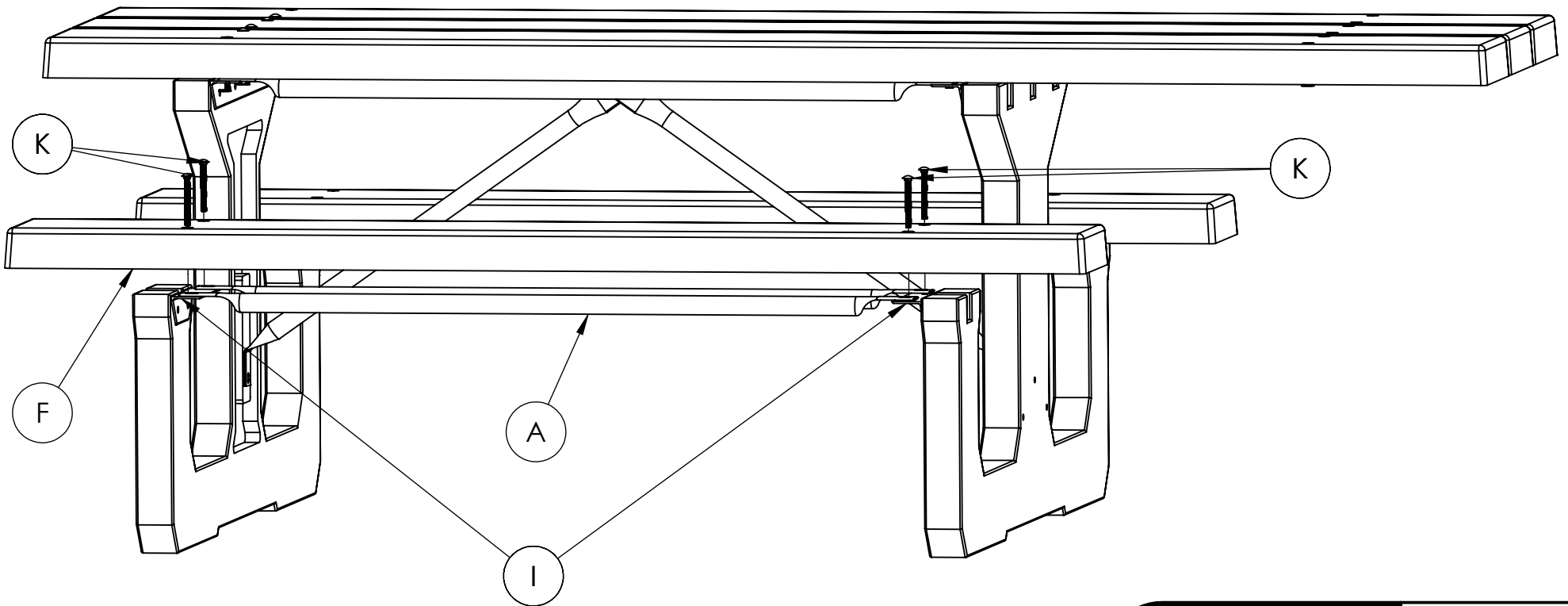
- Attach the angle support braces (C) to the center channel tab (B)
- Place a 5/16"-18 x 1" hex bolt (J) through the two braces and channel tab and hand tighten with a 5/16" flange nut (I) See Detail 1
- Then attach the angle support braces to the plastic end supports (G) with a 3-1/2" x 5/16" carriage bolt. (K) See Detail 2



ADA Walk-Thru Table Instructions BM1440

STEP #6 Seat Assembly

- With two people, carefully flip the table over with the boards, plastic ends, center channel and angle support braces attached
- Place 2 seat tube supports (A) over the two seat angle brackets located on the plastic ends
- Place a 6FT board (F) over the seat tube supports
- Align the holes of the board with the seat angle bracket, place a 5/16" – 18 x 3.25" carriage bolt (K) through the holes on the board, through the seat tube support, then through the seat angle bracket
- Secure with a 5/16" flange nut.(I)
- See next page for more detail.
- Repeat this step on the opposite seat area.

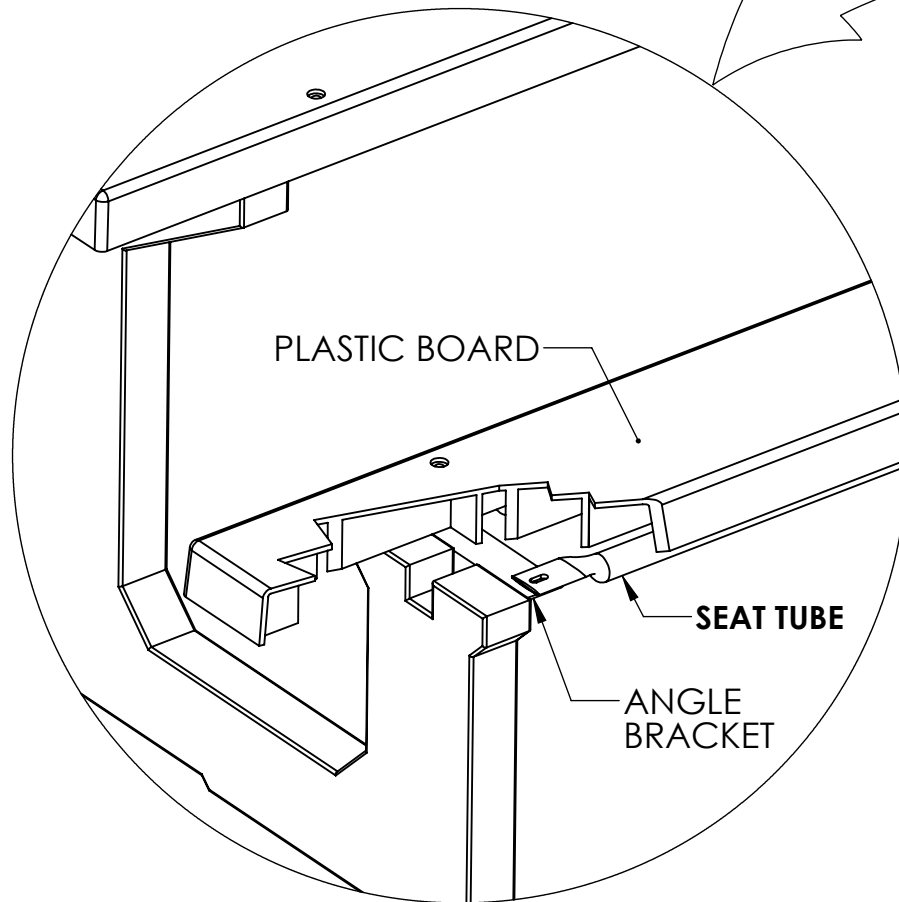


ADA Walk-Thru Table Instructions BM1440

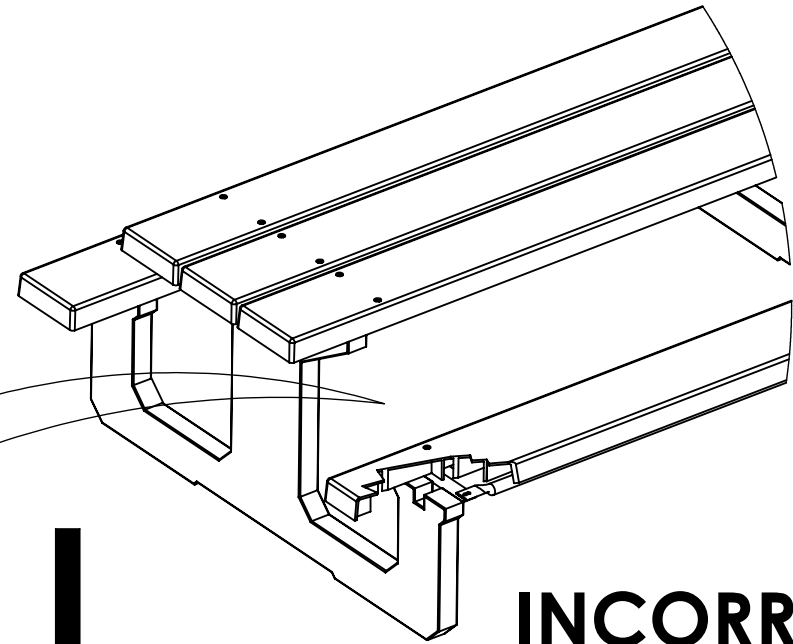
WALK-THRU TABLE SEAT CROSS-SECTION

NOTE: WHEN INSTALLING PLASTIC BOARDS AND SEAT TUBES, THE SEAT TUBE SHOULD BE ATTACH ON THE TOP SIDE OF THE ANGLE BRACKET FOLLOWED BY THE PLASTIC BOARD AS SHOWN.

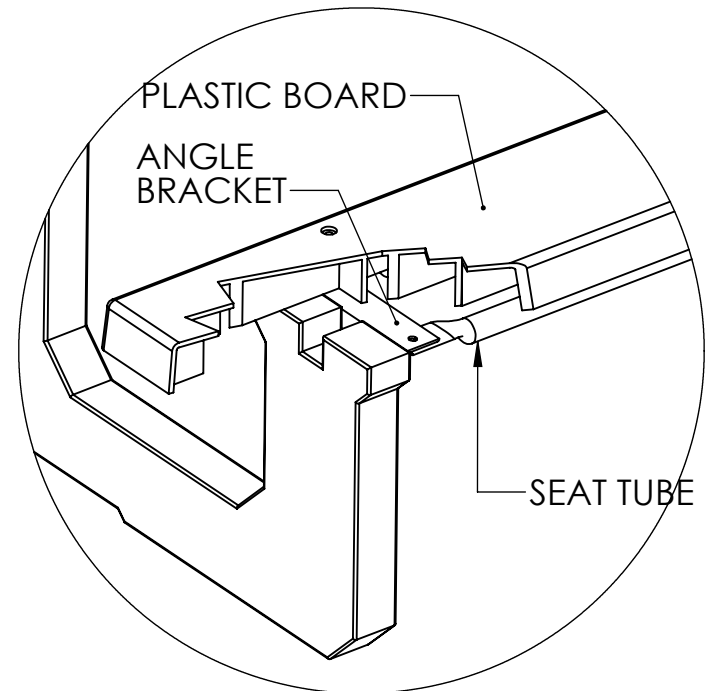
CORRECT



PLACE SEAT TUBE **ON TOP OF** ANGLE BRACKET, THEN PLACE PLASTIC BOARD **ON TOP OF** SEAT TUBES AS SHOWN IN THE ILLUSTRATION ABOVE.



INCORRECT



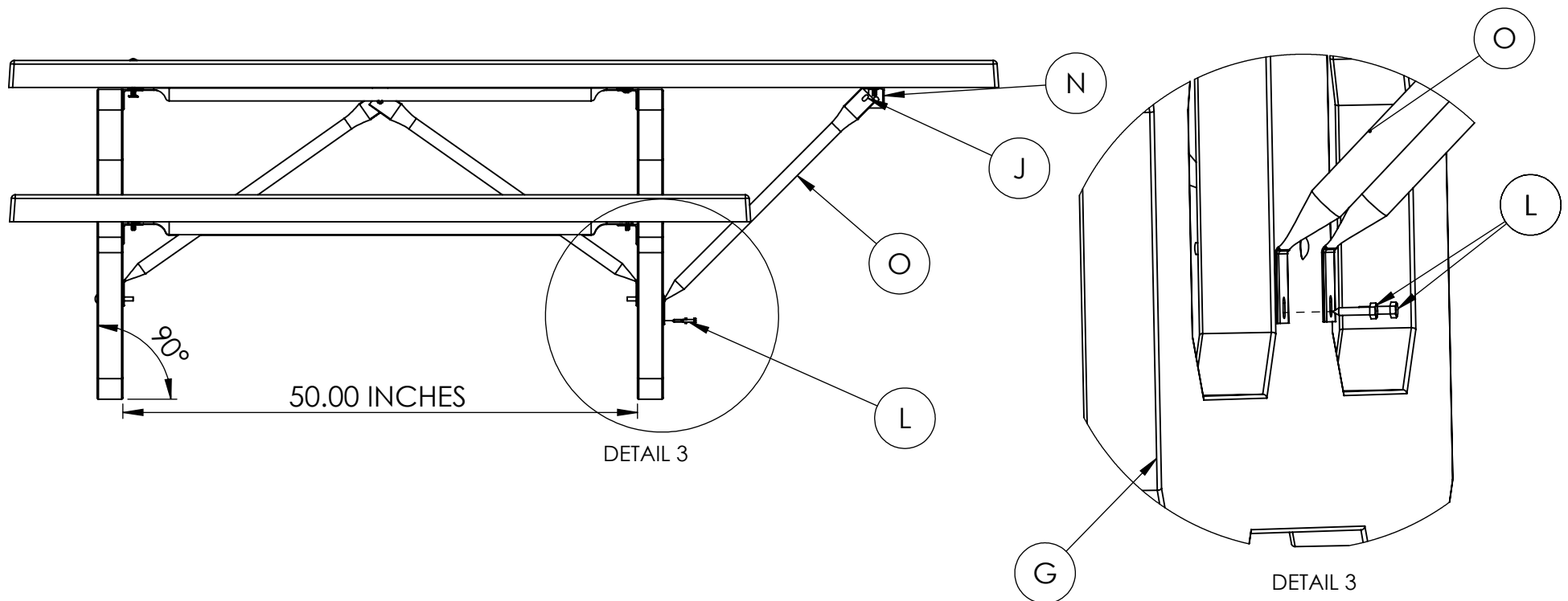
**INSTALLING
SEATS**

10/11

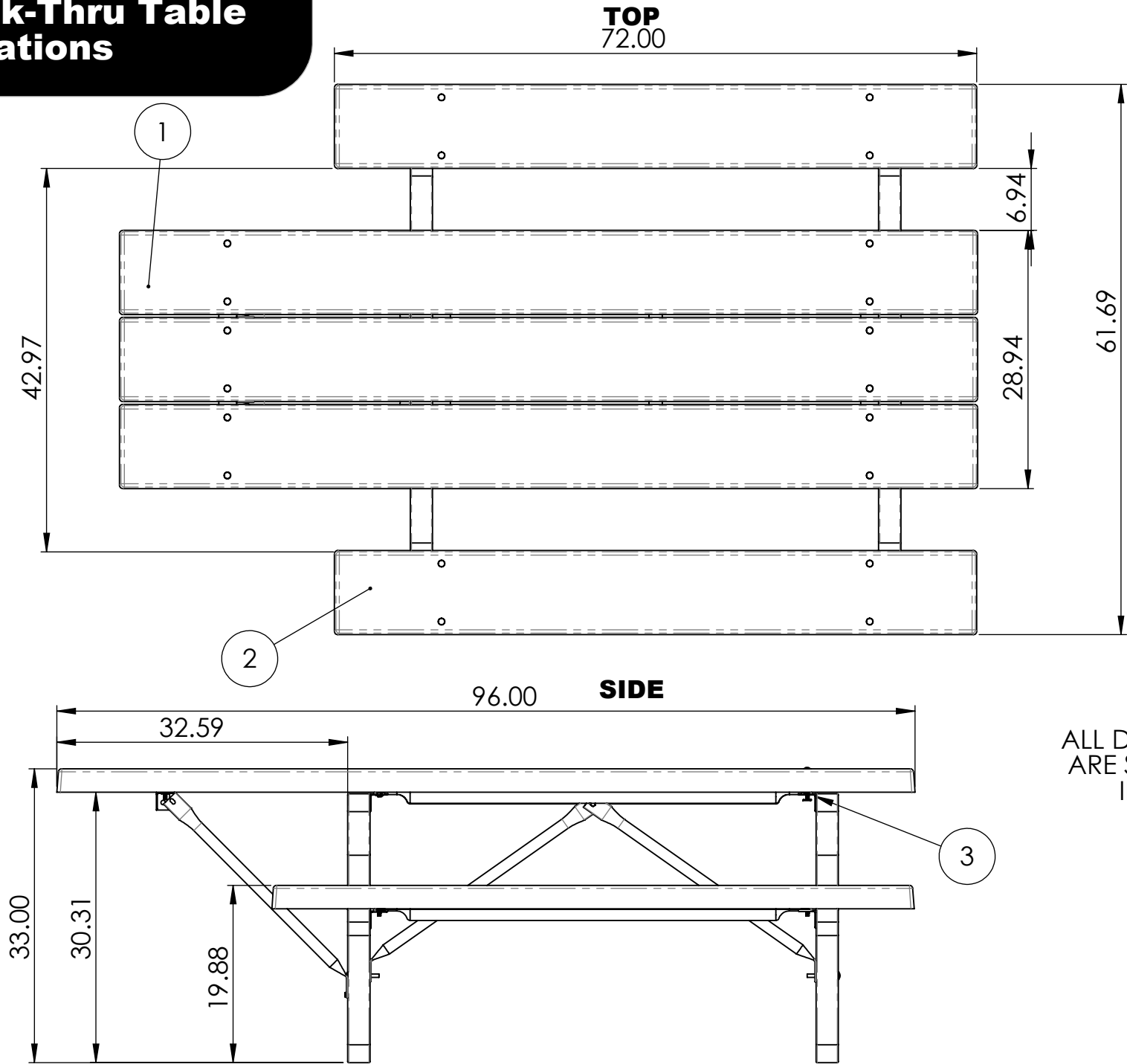
ADA Walk-Thru Table Instructions BM1440

STEP #8 ADA support braces

- At the ADA end, attach two 33" ADA support braces (O) to the the ADA angle bracket (N) with two 5/16" x 1" hex bolts (J) and 5/16" flange nuts (I)
- At the plastic end support frame, use some force and hold the support up to the frame and attach the support brace (O) with a 1/4" x 1-1/2" lag screw through the pre-drilled hole
- Repeat this process for the other ADA support brace (O)
- Square the table and legs and tighten all hardware

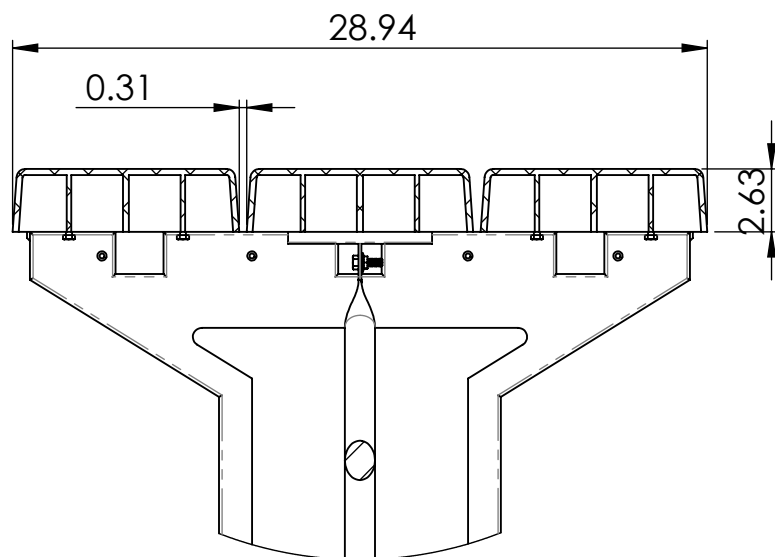


ADA Walk-Thru Table Specifications BM1440

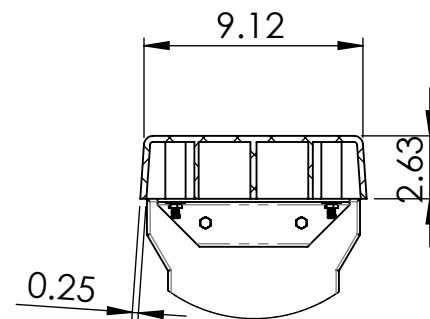


ALL DIMENSIONS
ARE SHOWN IN
INCHES

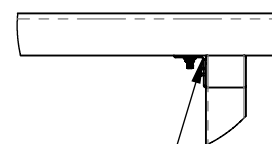
ADA Walk-Thru Table Specifications BM1440



① TABLE TOP DETAILS



② SEAT DETAILS



ANGLE SUPPORTS
INSTALLED ON
INSIDE OF LEG

③ ASSEMBLY DETAIL

HARDWARE: ZINC PLATED
CONSTRUCTION MATERIALS: POWDER COATED METAL, PLASTIC

ALL DIMENSIONS
ARE SHOWN IN
INCHES