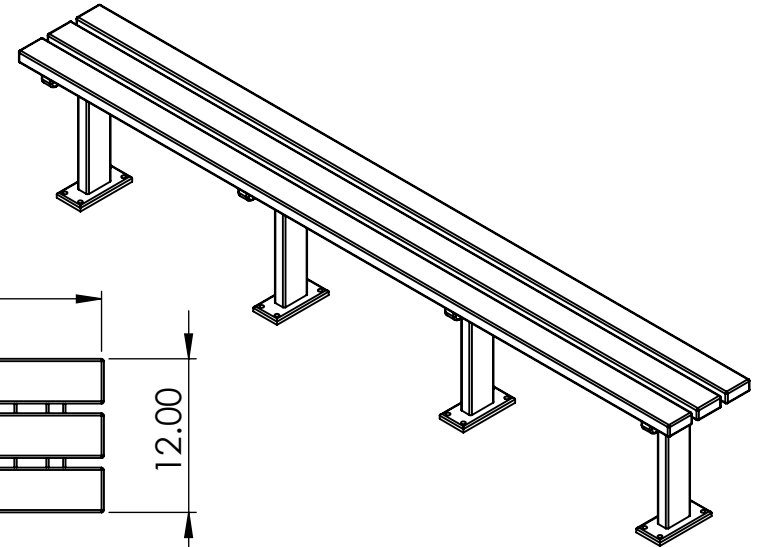
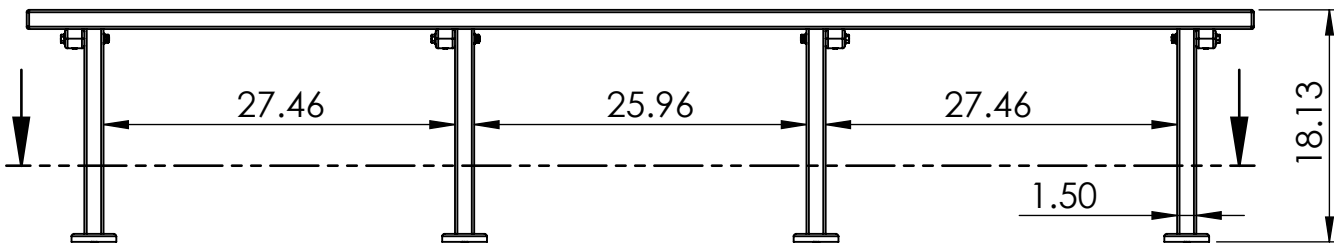
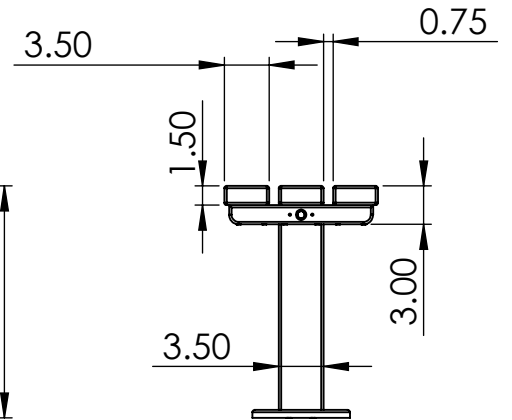
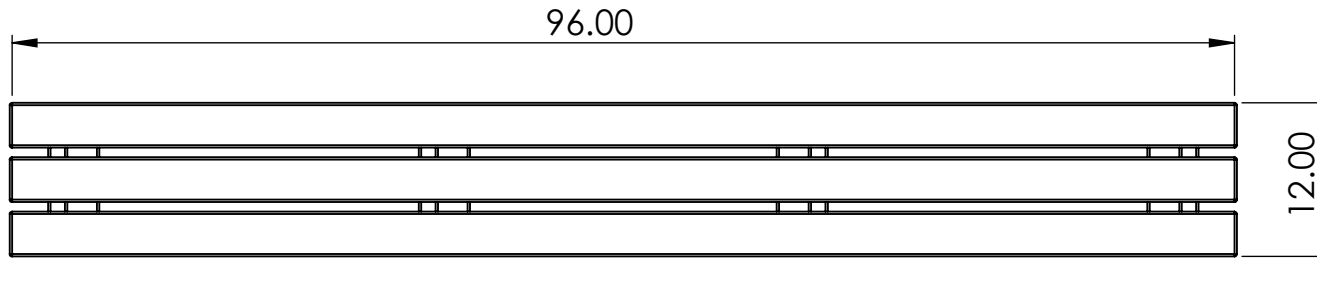


# BENCH SPECIFICATIONS BC1055

REV# 2  
1/18/18



**TOP**



MOUNTING  
DETAIL

**FRONT**

MOUNTING  
DETAIL

**SIDE**

ALL DIMENSIONS  
SHOWN IN INCHES

**CONSTRUCTION MATERIALS:**  
Recycled Plastic  
**HARDWARE:**  
Stainless Steel

**MOUNTING DETAIL**

