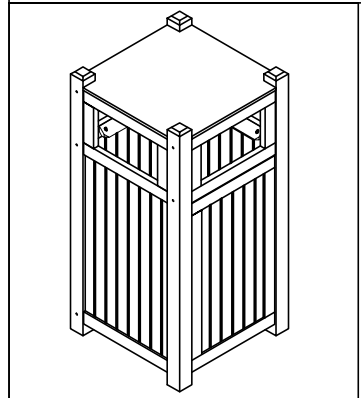
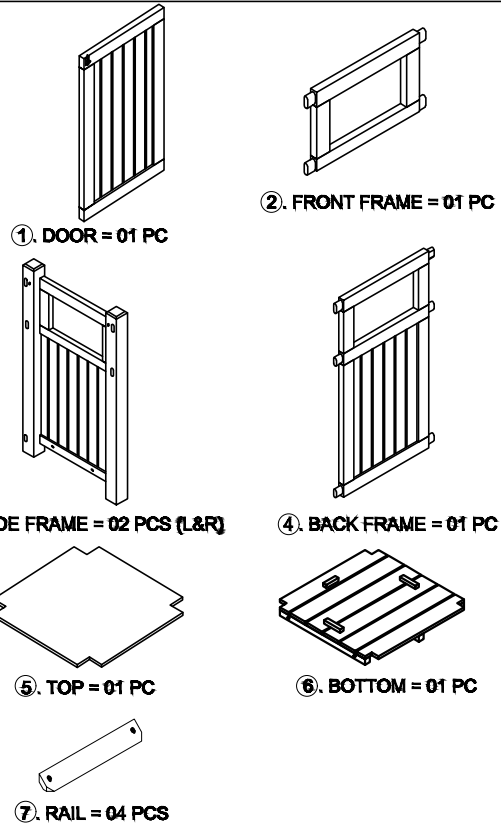
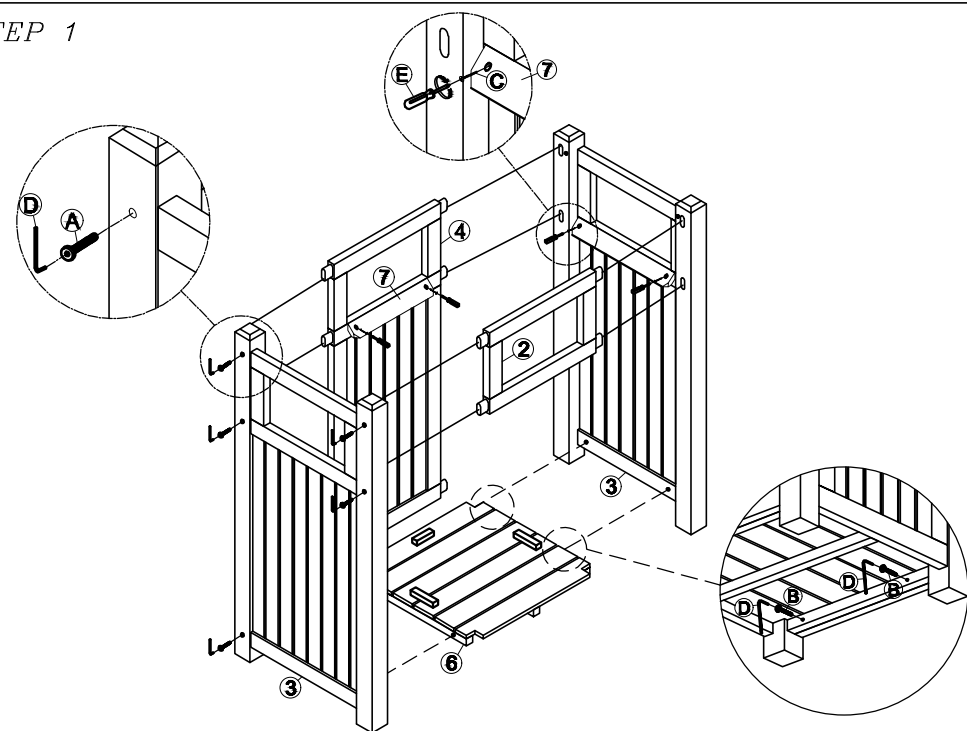


Lam 1705 Trash Can W535xD535xH1095

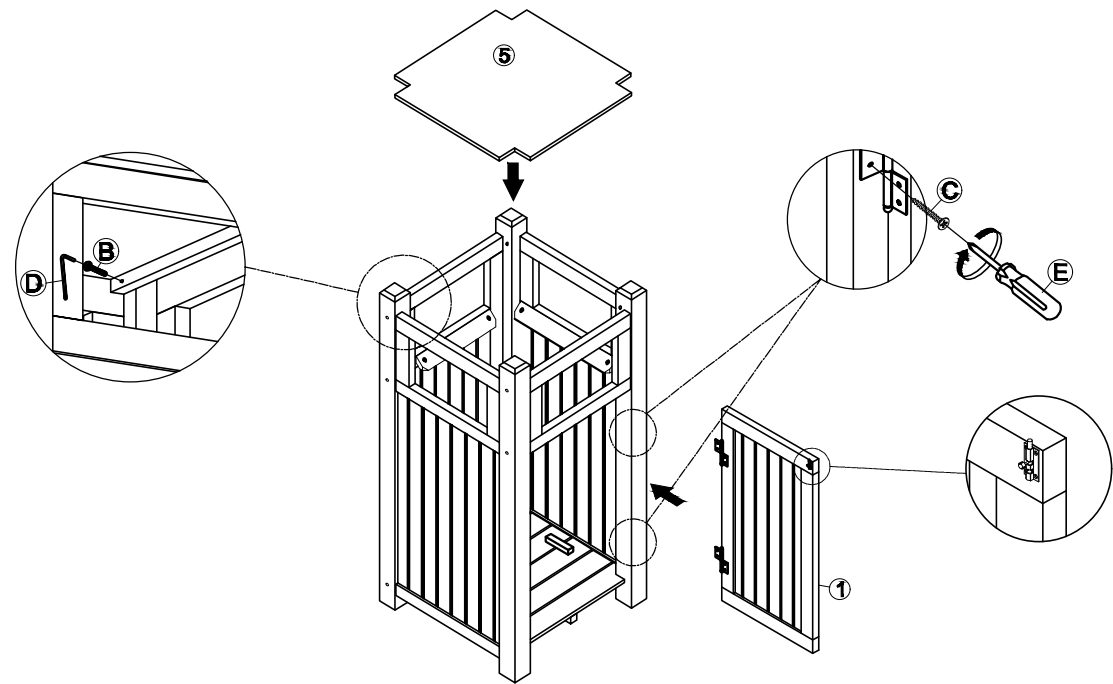
PART LIST








STEP 1



STEP 2



HARDWARE LIST

-  **A. Bolt (M6x90) = 10 PCS**
-  **B. Bolt (M8x35) = 08 PCS**
-  **C. Screw (M3.5x20) = 14 PCS**
-  **D. Allen key = 01 PC**
-  **E. Philip Tip Screw Driver (Not Included)**